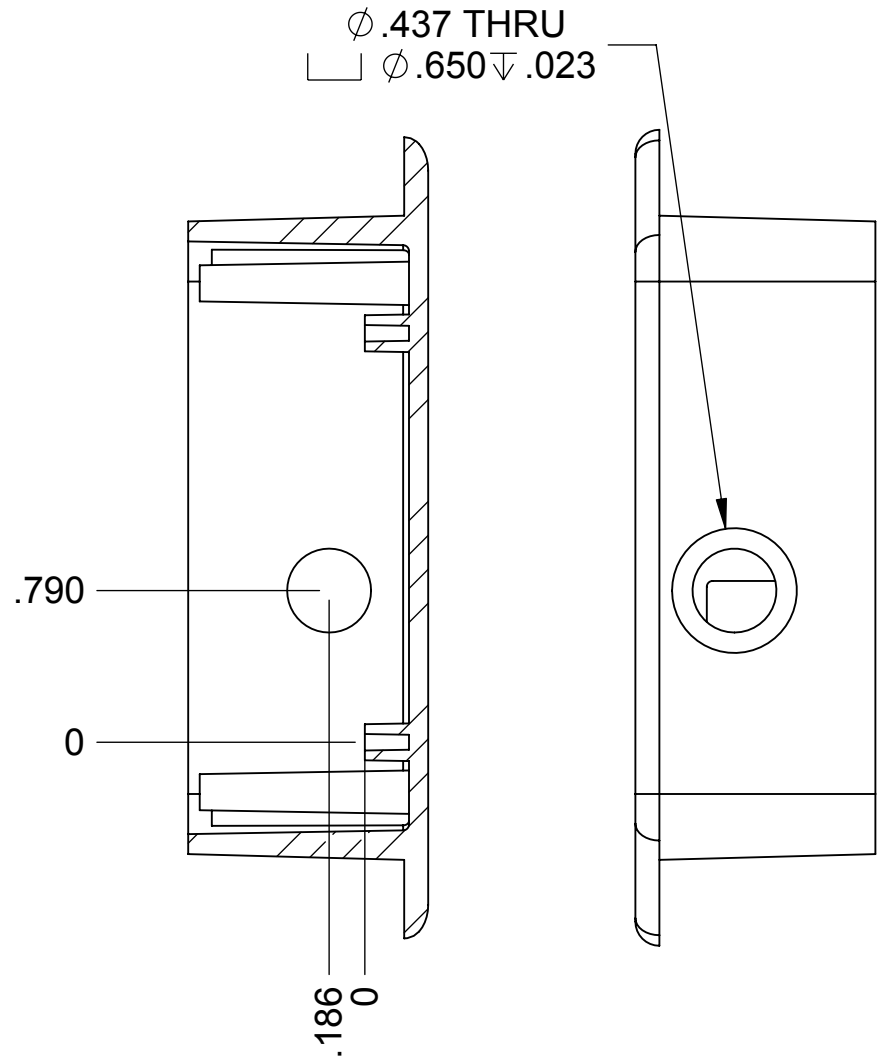


THE INFORMATION CONTAINED IN THIS DRAWING IS THE SOLE PROPERTY OF VELODYNE ACOUSTICS, INC., ANY REPRODUCTION IN PART OR WHOLE WITHOUT THE WRITTEN PERMISSION OF VELODYNE ACOUSTICS, INC., IS PROHIBITED.

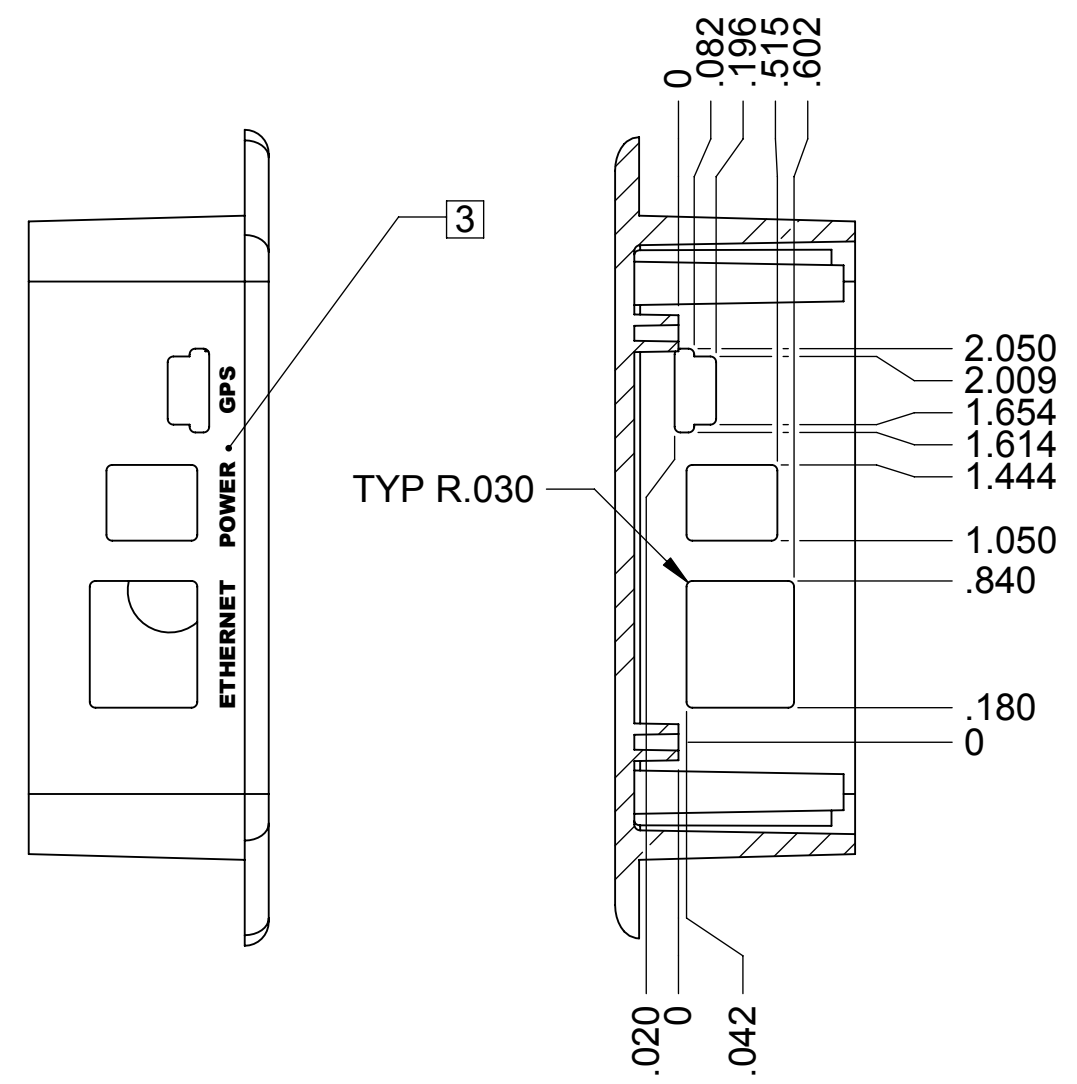
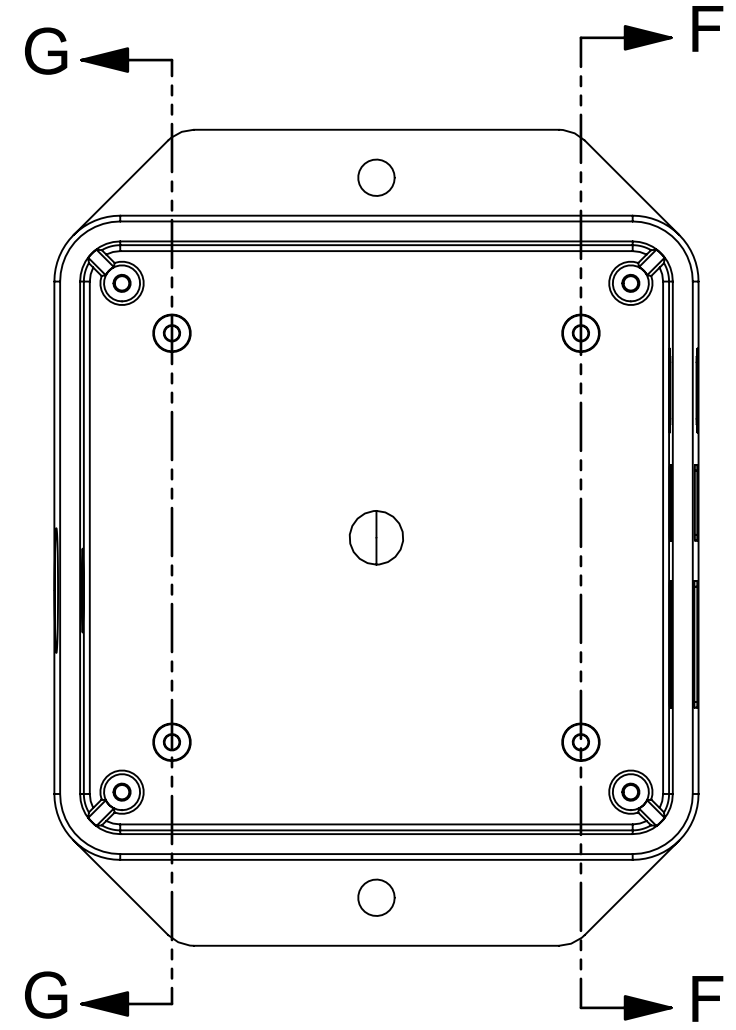
REVISIONS				
ECN	REV	DESCRIPTION	APPROVAL	DATE
	E1	INITIAL ENGINEERING RELEASE	TAR	11/09/10
111863	A	ADD 58-756 ENCLOSURE, LP-41 TO BOM; RELEASE FOR PRODUCTION	JLC	7/14/11

NOTES: UNLESS OTHERWISE SPECIFIED

1. ALL DIMENSIONS ARE IN DECIMAL INCHES.
2. MATERIAL: MAKE FROM 58-756 POLYCASE LP-41BFMB1
3. FINISH: PRINT WITH SUPPLIED ARTWORK (VELODYNE P/N 63-9082) - COLOR: PANTONE 877C
4. MACHINE FEATURES SHOWN.



SECTION G-G
SCALE 1 : 1



SECTION F-F
SCALE 1 : 1

UNLESS OTHERWISE SPECIFIED DIMENSIONS ARE IN DECIMAL INCHES AND [METRIC].		SOLIDWORKS2006 GENERATED DRAWING. DO NOT MANUALLY UPDATE!		Velodyne Acoustics, Inc.	
TOLERANCES ARE:		APPROVALS		DATE	
DECIMALS	ANGLES	DWN	TAR	11/09/10	
.xx ± .03 [0.76]	± N/A	CHKD			
.xxx ± .005 [0.127]		DC			
MATERIAL	SEE NOTES	ENG	TAR	11/09/10	
FINISH	SEE NOTES	SCALE=NTS			
NEXT ASSY	DO NOT SCALE DRAWING	SIZE	B	DWG. NO.	50-6001
		SCALE=NTS		REV.	A
					SHEET 1 of 1