

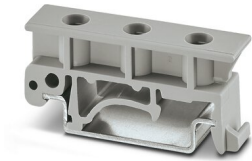
Rail adapters - USA 10/4,6

1202713

<https://www.phoenixcontact.com/ca/products/1202713>

Please be informed that the data shown in this PDF document is generated from our Online Catalog. Please find the complete data in the user documentation. Our General Terms of Use for Downloads are valid.

Rail adapters, for M5 screws, length: 42.6 mm, width: 10 mm, height: 19 mm, color: gray



Your advantages

- They allow fully insulated mounting of components or DIN rails
- The universal adapters are used to secure and hold electrical or electronic switching devices

Commercial Data

Item number	1202713
Packing unit	10 pc
Minimum order quantity	10 pc
Sales Key	B14
Product Key	BE7114
Catalog Page	Page 545 (C-3-2019)
GTIN	4017918018009
Weight per Piece (including packing)	3.197 g
Weight per Piece (excluding packing)	2.968 g
Customs tariff number	39269097
Country of origin	DE

Rail adapters - USA 10/4,6

1202713

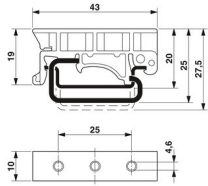
<https://www.phoenixcontact.com/ca/products/1202713>

Technical Data

Product properties

Product type	Mounting material
--------------	-------------------

Dimensions

Dimensional drawing	
Width	10 mm
Height	19 mm
Length	42.6 mm

Material specifications

Color	gray
Material	PA
Flammability rating according to UL 94	V2
Coating	uncoated

Environmental and real-life conditions

Ambient conditions

Ambient temperature (operation)	-60 °C ... 105 °C (max. short-term operating temperature RTI Elec.)
Ambient temperature (storage/transport)	-25 °C ... 60 °C (for a short time, not exceeding 24 h, -60 °C to +70 °C)
Ambient temperature (assembly)	-5 °C ... 70 °C
Ambient temperature (actuation)	-5 °C ... 70 °C
Permissible humidity (storage/transport)	30 % ... 70 %

Mounting

Mounting type	Plug-on assembly
---------------	------------------

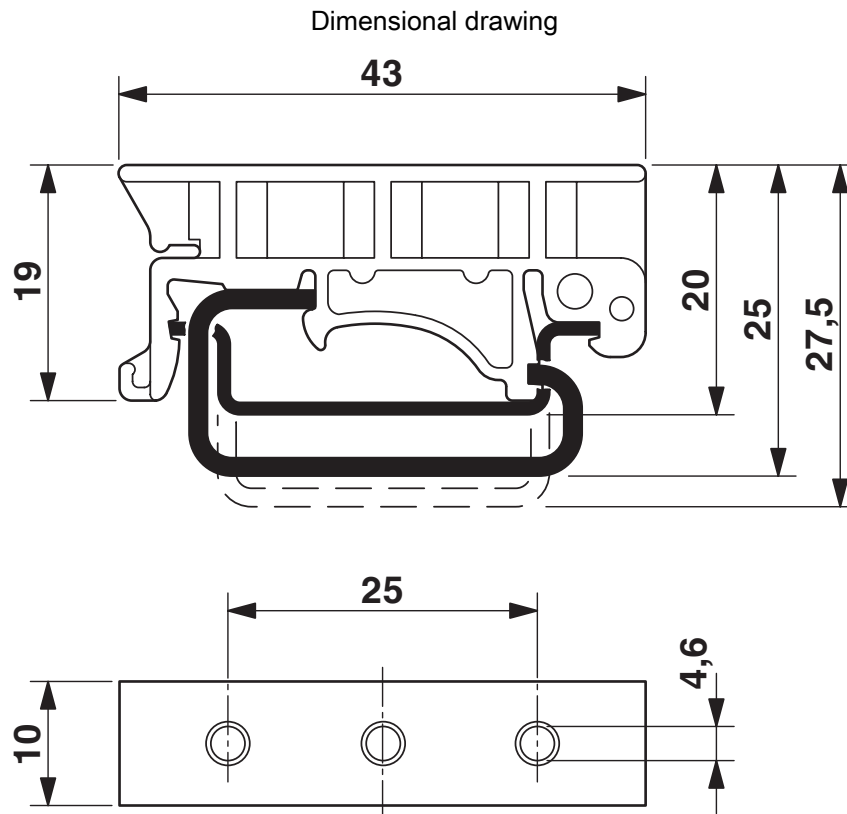
Rail adapters - USA 10/4,6

1202713

<https://www.phoenixcontact.com/ca/products/1202713>



Drawings



Rail adapters - USA 10/4,6



1202713

<https://www.phoenixcontact.com/ca/products/1202713>

Classifications

ECLASS

ECLASS-9.0	27370419
ECLASS-10.0.1	27370419
ECLASS-11.0	27370419

ETIM

ETIM 8.0	EC001024
----------	----------

UNSPSC

UNSPSC 21.0	39121400
-------------	----------

Rail adapters - USA 10/4,6

1202713

<https://www.phoenixcontact.com/ca/products/1202713>



Environmental Product Compliance

China RoHS	Environmentally friendly use period: unlimited = EFUP-e
	No hazardous substances above threshold values

Phoenix Contact 2022 © - all rights reserved
<https://www.phoenixcontact.com>

PHOENIX CONTACT Ltd
8240 Parkhill Drive
Milton, Ontario L9T 5V7
1-800-890-2820
cdinfo@phoenixcontact.ca