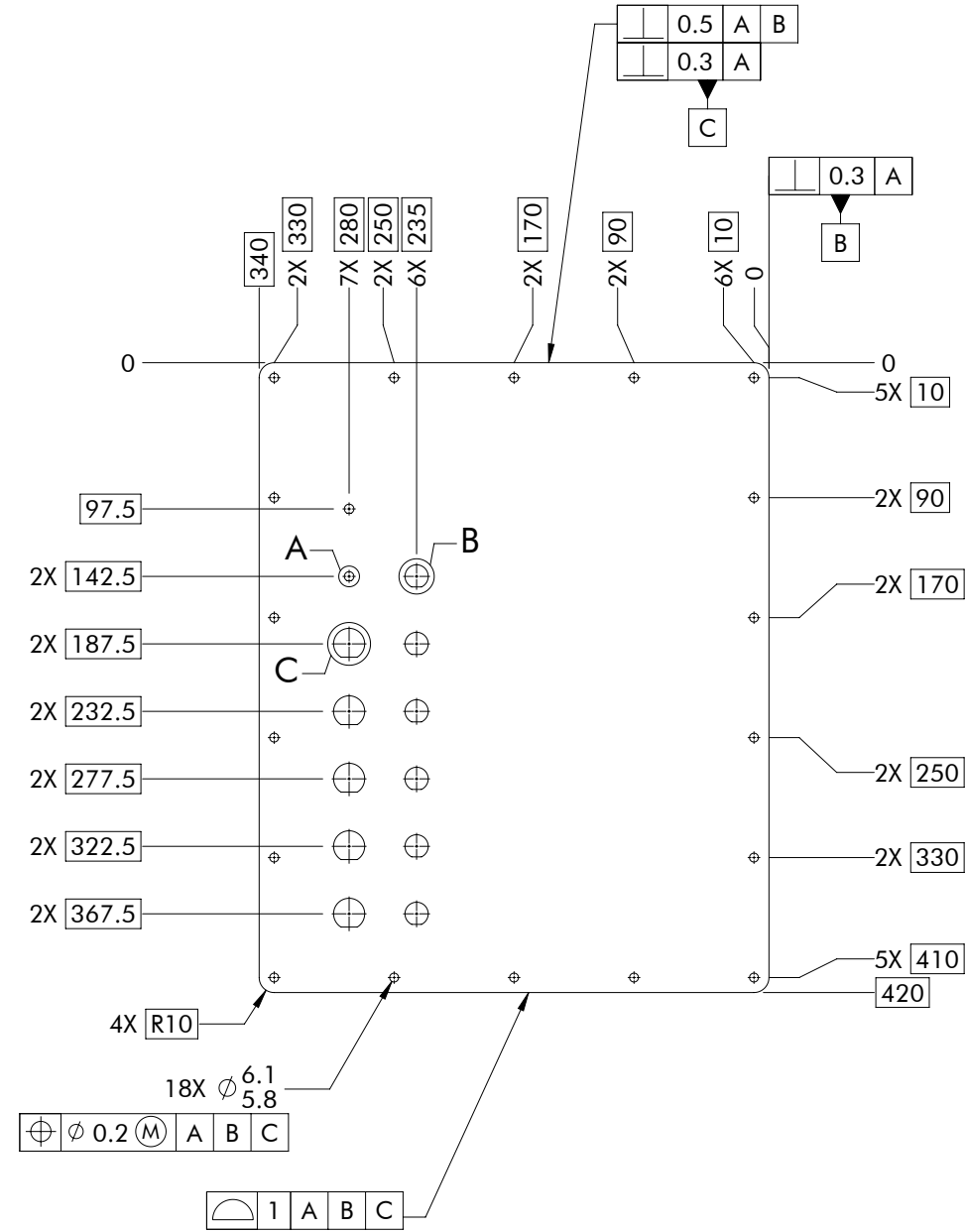
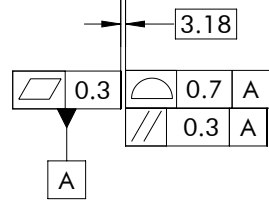
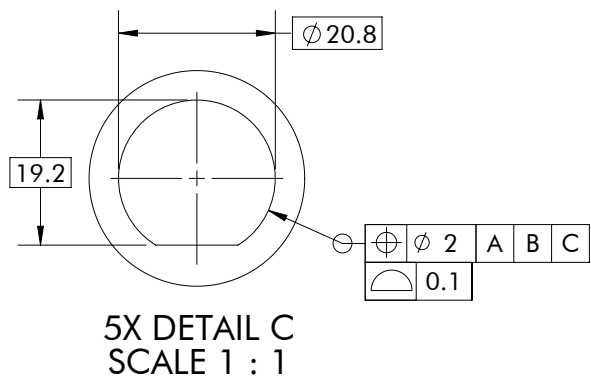
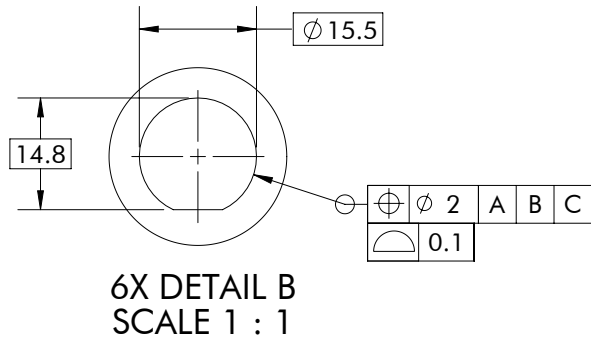
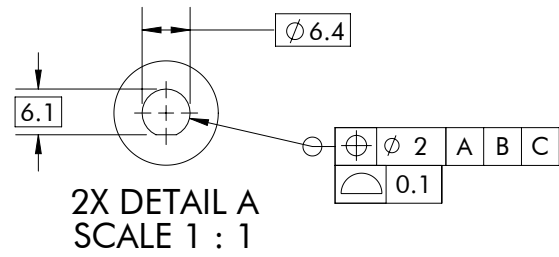


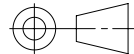
NOTES:

1. ITEM MATERIAL SHALL BE ALUMINUM ALLOY, ALUMINIUM ASSOCIATION TYPE 5052 OR 6061
2. SURFACES SHALL BEAR ANODIC COATING OR POWDER COATING
3. ANODIC COATING SHALL BE IN ACCORDANCE WITH MIL-A-8625, TYPE II CLASS 2, COLOUR BLACK
4. POWDER COATING SHALL BE CURED, TIGER DRYLAC 39/80200, MATTE, FINE TEXTURE, COLOUR BLACK
5. DIMENSIONAL REQUIREMENTS APPLY AFTER COATING
6. EXTERNAL EDGES SHALL CONFORM TO R0.3 ± 0.2
7. ITEM MAY BE ELASTICALLY CONSTRAINED DURING INSPECTION TO SATISFY DIMENSIONAL REQUIREMENTS



TEMPLATE 020836-DTT_11

THIRD ANGLE
PROJECTION



UNLESS
OTHERWISE
SPECIFIED

UNITS ARE MILLIMETRES & GRAMS
NOTES SUPERSEDE TITLE BLOCK
CALLOUTS SUPERSEDE NOTES
DIMENSIONS & TOLERANCES SHALL BE INTERPRETED
IN ACCORDANCE WITH ASME Y14.5-2018



PROPRIETARY AND CONFIDENTIAL
INFORMATION CONTAINED IN THIS DRAWING IS
THE SOLE PROPERTY OF CLEARPATH ROBOTICS INC.
PROHIBITED TO REPRODUCE IN PART OR AS A WHOLE WITHOUT
WRITTEN PERMISSION OF CLEARPATH ROBOTICS INC.

DRAFT RF 8 APR 2022

ITEM
NAME

PLATE—CONNECTOR BULKHEAD,
CONNECTOR CUTOUTS

PAPER 432 X 279

SCALE 1:5

DO NOT SCALE

ITEM
NUMBER

027256

SHEET 1 OF 1

REV.

2