



Plate Brackets (MISUMI)



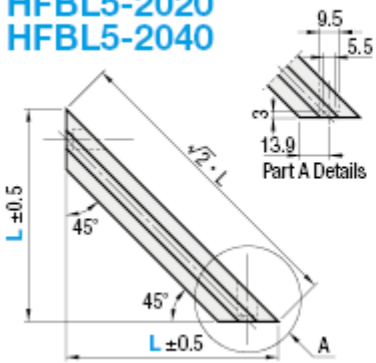
Part Number **HFBL5-2020-224**

20220515212640

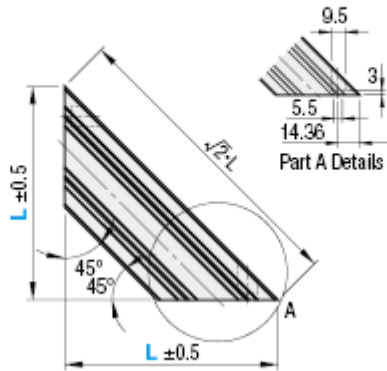
Material	A6N01SS-T5 Aluminum Alloy	Surface Finish	Clear Anodize
Extrusion Series	HFS	Extrusion No.	5
Extrusion Size	For 2020	Bracket Type	Brackets for Reinforcement
Applicable Screws	M5 Screws	Number of Extrusion Connection Holes	2
Overall Length L(mm)	224	-	-

(No surface treatment on 45° cut ends and counterbores.)

HFBL5-2020
HFBL5-2040



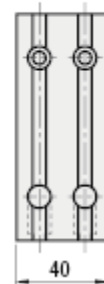
HFBL5-4020



<Front View>
HFBL5-2020
HFBL5-4020



<Front View>
HFBL5-2040



Alterations	Code	Spec.	Applicable Bracket																						
Set of Applicable Screws and Nuts	SET SST (Stainless Steel)	Applicable screws and nuts for fixing the brackets on extrusions come in a set. (Adds to the bracket price) (Ex.) When HFBL5 is specified	HFBL5-2020																						
	SEU (Pre-Assembly Insertion Spring Nuts)																								
	SSU (Pre-Assembly Insertion Spring Nuts Stainless Steel)		HFBL5-2040																						
	SEP (Post-Assembly Insertion Spring Nuts)																								
	SSP (Post-Assembly Insertion Spring Nuts Stainless Steel)		HFBL5-4020																						
			<table border="1"> <thead> <tr> <th>CODE</th> <th>Screw</th> <th>Nut</th> </tr> </thead> <tbody> <tr> <td>SET</td> <td>CBM5-8</td> <td>HNTT5-5</td> </tr> <tr> <td>SST</td> <td>SCB5-8</td> <td>HNTTBS5-5</td> </tr> <tr> <td>SEU</td> <td>CBM5-8</td> <td>HNTU5-5</td> </tr> <tr> <td>SSU</td> <td>SCB5-8</td> <td>SHNTU5-5</td> </tr> <tr> <td>SEP</td> <td>CBM5-8</td> <td>HNTTP5-5</td> </tr> <tr> <td>SSP</td> <td>SCB5-8</td> <td>SHNTTP5-5</td> </tr> </tbody> </table>	CODE	Screw	Nut	SET	CBM5-8	HNTT5-5	SST	SCB5-8	HNTTBS5-5	SEU	CBM5-8	HNTU5-5	SSU	SCB5-8	SHNTU5-5	SEP	CBM5-8	HNTTP5-5	SSP	SCB5-8	SHNTTP5-5	
	CODE		Screw	Nut																					
	SET		CBM5-8	HNTT5-5																					
SST	SCB5-8	HNTTBS5-5																							
SEU	CBM5-8	HNTU5-5																							
SSU	SCB5-8	SHNTU5-5																							
SEP	CBM5-8	HNTTP5-5																							
SSP	SCB5-8	SHNTTP5-5																							

⚠ Not RoHS compliant when -SET, -SEU and -SEP are specified.