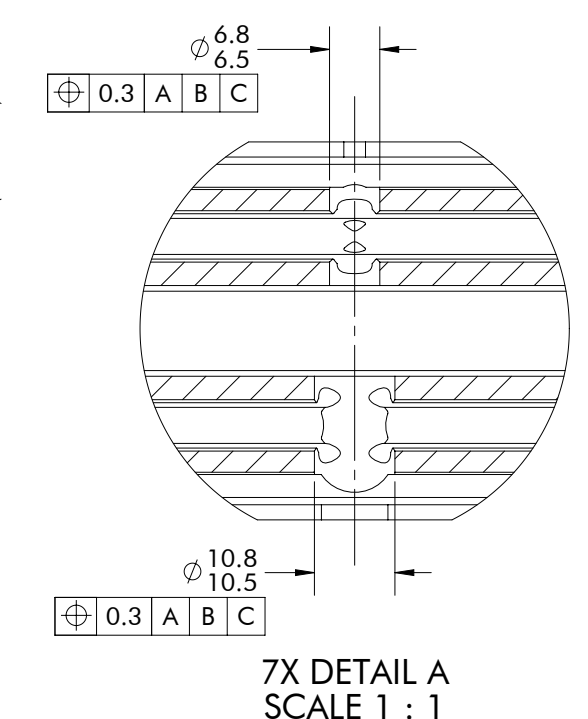
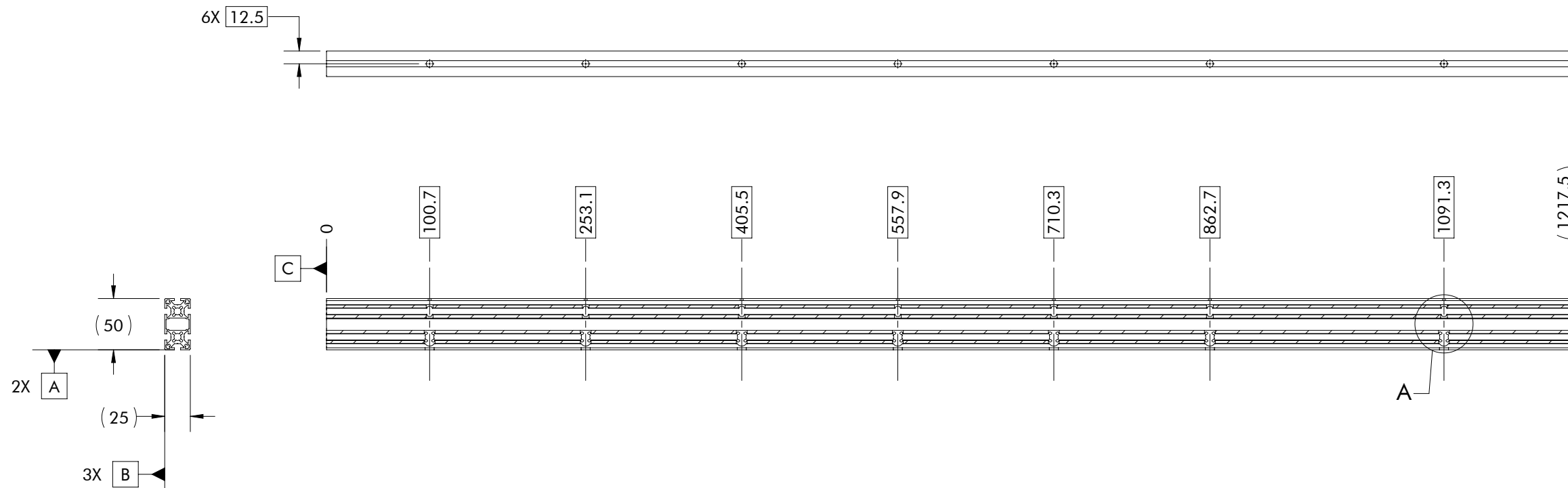


NOTES:

- ITEM SHALL BE AN ALTERATION OF MISUMI ITEM 'HFSB5-2550-1217'
- (ITEM MATERIAL IS ALUMINUM ALLOY A6N01SS-T5)
- UNSPECIFIED BASIC DIMENSIONS SHALL BE DEFINED BY DIGITAL GEOMETRY FILE "028459-GEO_2.STEP"
- SURFACES SHALL CONFORM TO $\sqrt{0.5}$ A B(M)
- EXTERNAL EDGES SHALL CONFORM TO R0.3 ± 0.2
- INTERNAL EDGES SHALL CONFORM TO R0.2 MAX
- ITEM MAY BE ELASTICALLY CONSTRAINED DURING INSPECTION TO SATISFY DIMENSIONAL REQUIREMENTS



ALTERED ITEM DRAWING

TEMPLATE 020836-DTT_11

THIRD ANGLE PROJECTION	UNLESS OTHERWISE SPECIFIED	UNITS ARE MILLIMETRES & GRAMS NOTES SUPERSEDE TITLE BLOCK CALLOUTS SUPERSEDE NOTES DIMENSIONS & TOLERANCES SHALL BE INTERPRETED IN ACCORDANCE WITH ASME Y14.5-2018		PROPRIETARY AND CONFIDENTIAL INFORMATION CONTAINED IN THIS DRAWING IS THE SOLE PROPERTY OF CLEARPATH ROBOTICS INC. PROHIBITED TO REPRODUCE IN PART OR AS A WHOLE WITHOUT WRITTEN PERMISSION OF CLEARPATH ROBOTICS INC.			DRAFT	RF	4 OCT 2022	ITEM NAME BEAM, T-SLOT—25 X 50, 1217, ALUMINUM, BLACK	ITEM NUMBER 028459	REV. 2
				PAPER 432 X 279	SCALE 1:5	DO NOT SCALE	SHEET 1 OF 1					