



Brackets - 5 Series, Reversal Brackets with Tab, 1 Slot, 4 Holes

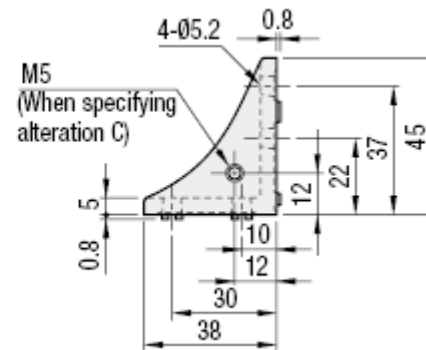
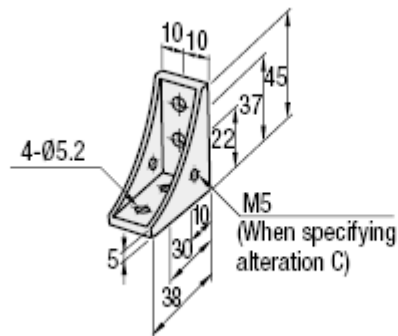


Part Number **HBLFSSWB5**

20221004130837

Bracket Type	Tabbed Brackets	Series Name	-
Applicable Frame Width(mm)	-	Number Of Compatible Slots	-
Aligment tabs	Both Side Tabbed	Additional Features (Brackets with Tab)	Standard
Perpendicularity	Not Right-angled	Material	Aluminum Casting Alloy 383.0
Surface Finish	Black Anodize	Extrusion Series	HFS
Extrusion No.	5	Extrusion Size	For 20, 25, 40
Bracket Type	Reversal Tabbed Brackets	Cover Mounting Hole Addition Work	Not Provided
Accessory	Not Provided	Applicable Screws	M5 Screws
Number of Extrusion Connection Holes	4	-	-

HBLFSSW5
HBLFSSWB5
(Black Anodize)





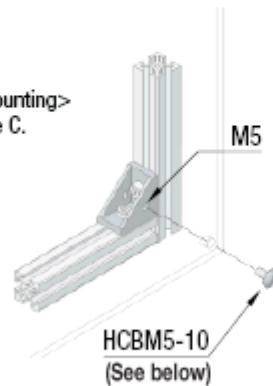
Alterations

Part Number -
HBLFSD5(C, SET, SST, SEU, SSU, SEP, SSP, SEC)
SET

Alterations	Code	Spec.	Applicable Bracket
Mounting Holes for Cover	C	Adds taps on a bracket for cover mounting. (M5 on Both Sides) (Mounting Screw See below HCBM)	HBLFSSW5
			HBLFSSWB5
			HBLFSD5
			HBLFSDK5
			HBLFSDW5

C Hole Alterations

<Example of Cover Mounting>
Specify alteration code C.



Alterations	Code	Spec.	Applicable Bracket
Applicable Screws and Nuts Set	SET SST (Stainless Steel) SEU (Pre-Assembly) Insertion Lock Nut Spring Nut SSU (Pre-Assembly) Insertion Lock Nut Spring Nut (Stainless Steel) SEP (Pre-Assembly) Spring Nuts SSP (Pre-Assembly) Spring Nuts (Stainless Steel) SEC (Weather Integrated) Screws and Nuts Nut	Applicable screws and nuts for fixing the brackets on extrusions come in a set. (Adds to the bracket price)	
		(Ex.) When HBLFSSW5 is specified:	HBLFSSW5
		Code Screw Nut	
		SET CBM5-10 HNTT5-5	
		SST SCB5-10 HNTTBS5-5	HBLFSSWB5
		SEU CBM5-10 HNTU5-5	
		SSU SCB5-10 SHNTU5-5	
		SEP CBM5-10 HNTP5-5	HBLFSD5
		SSP SCB5-10 SHNTP5-5	
		SEC HCBST5-12 HNTT5-5	
	⚠ When specifying other than HBLFSSW5, check for the applicable screws and nuts.	HBLFSDK5	
		HBLFUD5	
		HBLFSDW5	

- ⚠ Screws for black anodized parts are HCBMTB (Trivalent Chromate Black) on **See below**.
- ⚠ Not RoHS compliant when -SET, -SEU or -SEP other than black anodized parts is specified.