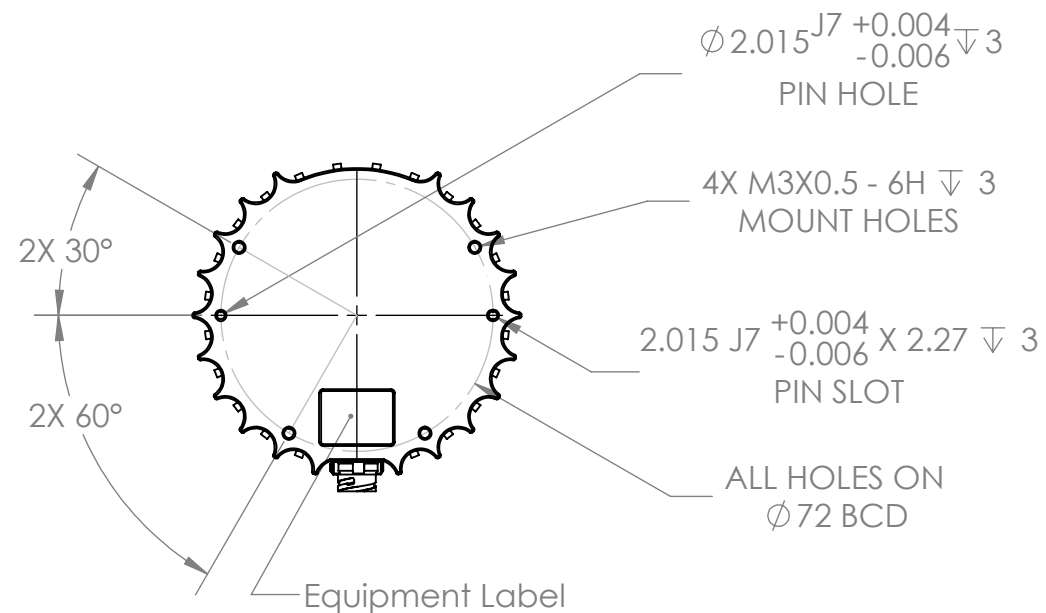
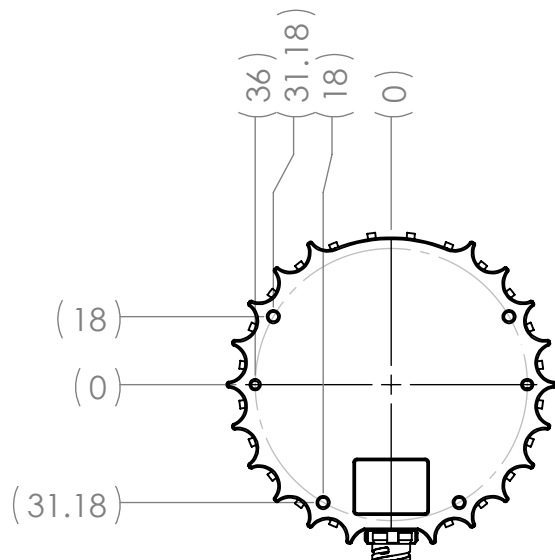
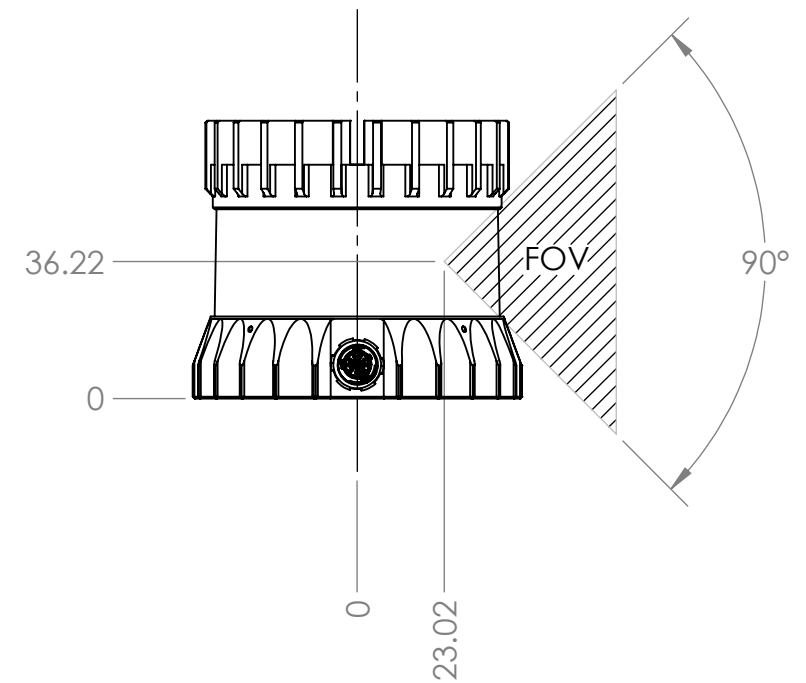
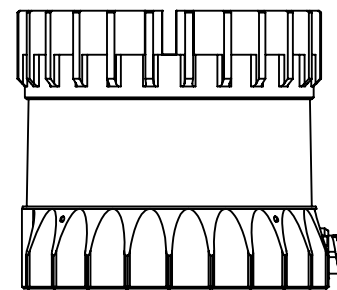
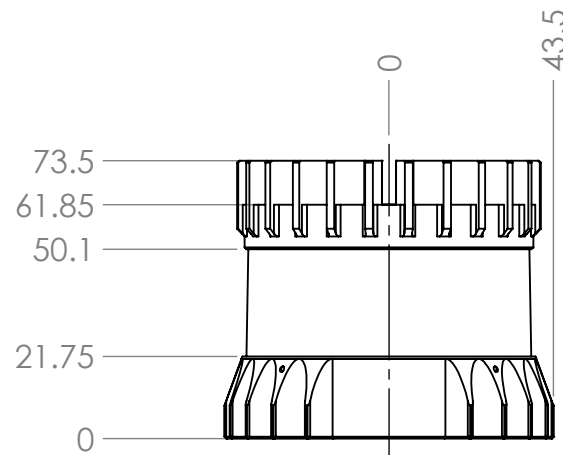
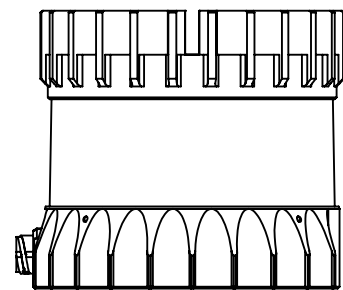
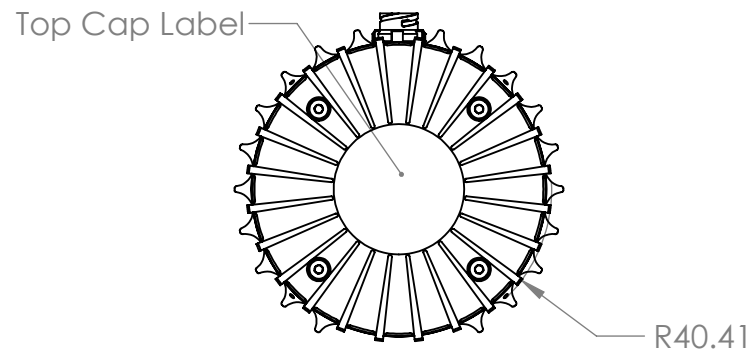
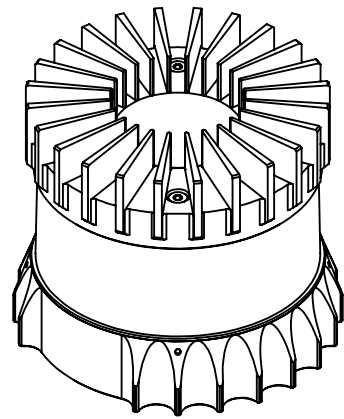


REVISIONS				
ZONE	REV.	DESCRIPTION	DATE	APPROVED
	06	ADDS TOLERANCES TO CIRITICAL EXTERNAL FEATURES	2022-06-01	HA



$\varnothing 2.015^{J7} +0.004 -0.006 \nabla 3$
PIN HOLE

4X M3X0.5 - 6H ∇ 3
MOUNT HOLES

2.015 J7 +0.004 -0.006 X 2.27 ∇ 3
PIN SLOT

ALL HOLES ON
 $\varnothing 72$ BCD

PROPRIETARY AND CONFIDENTIAL
THE INFORMATION CONTAINED IN THIS DRAWING IS THE SOLE PROPERTY OF OUSTER INC. ANY REPRODUCTION IN PART OR AS A WHOLE WITHOUT THE WRITTEN PERMISSION OF OUSTER INC IS PROHIBITED.

DIMENSIONS ARE IN MM

MATERIAL

FINISH

THIRD ANGLE PROJECTION

INTERPRET DRAWING PER ASME Y14.5-2018 AND Y14.100-2017

DO NOT SCALE DRAWING

OUSTER Ouster, Inc.
350 Treat Ave
San Francisco, CA 94110

TITLE: SensorAssemblyOS0

SIZE	DWG. NO.	REV
B	840-103574	06

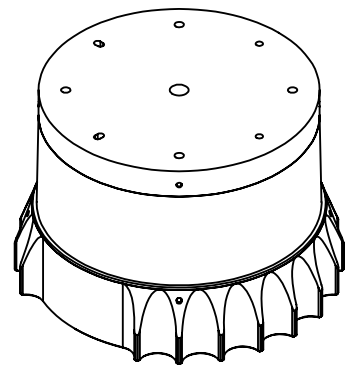
SCALE: 1:2 MASS: 447g SHEET 1 OF 3

F1(2) (4)5

8 7 6 5 4 3 2 1

D

D



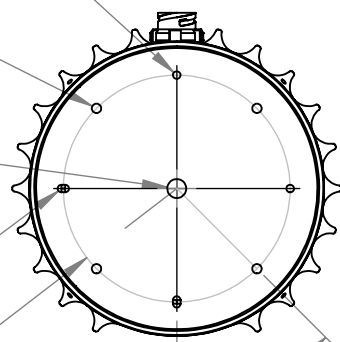
2X \varnothing 2.015 J7 $\begin{matrix} +0.004 \\ -0.006 \end{matrix}$ ∇ 3.5
PIN HOLE

4X M3X0.5 - 6H ∇ 4
MOUNT HOLES

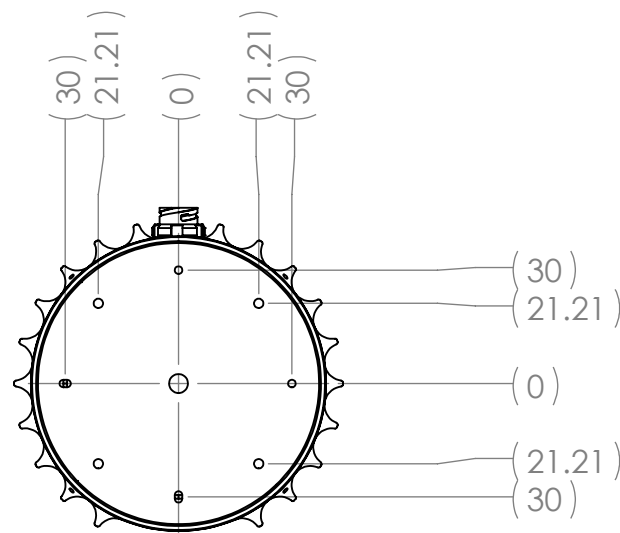
M6X1.0 - 6H ∇ 6
MOUNT HOLES

2X $\begin{matrix} 2.019 \\ 2.009 \end{matrix}$ X 3 ∇ 3.5
PIN SLOT

ALL HOLES ON
 \varnothing 60 BCD

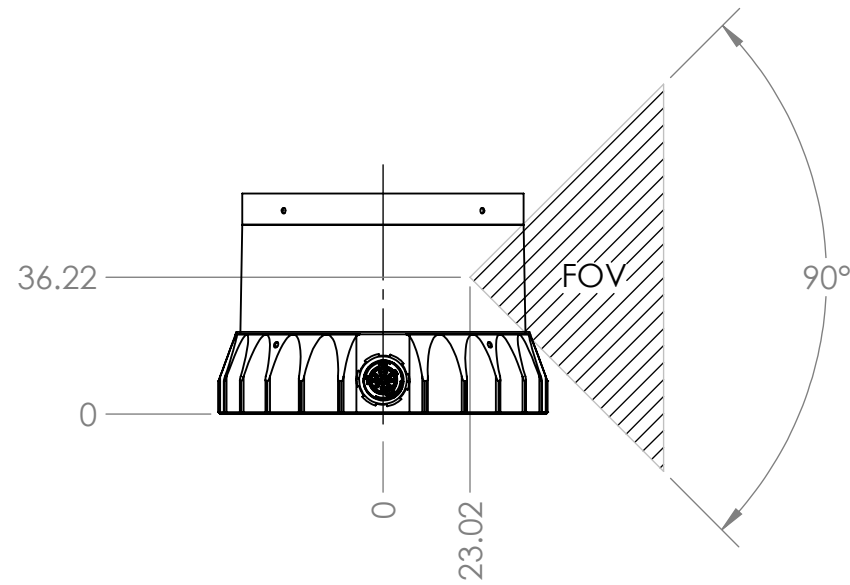
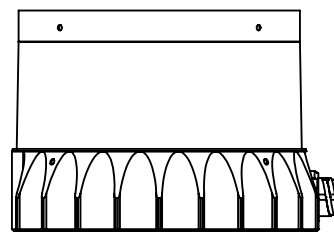
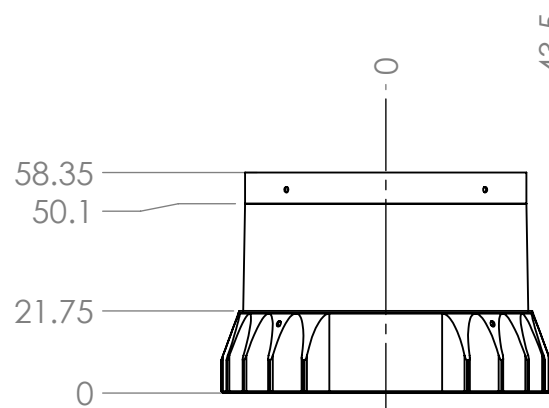
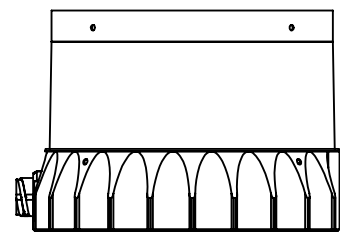


8X 45°



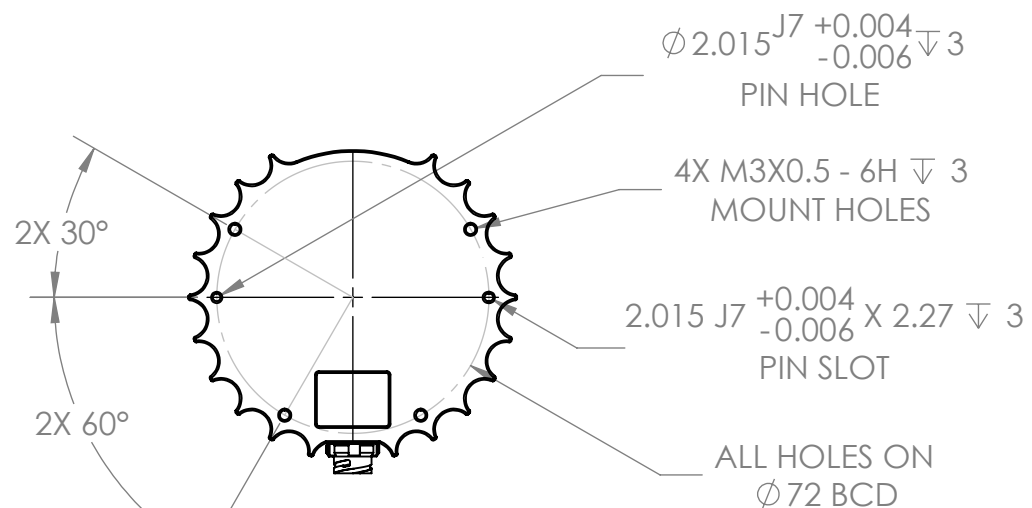
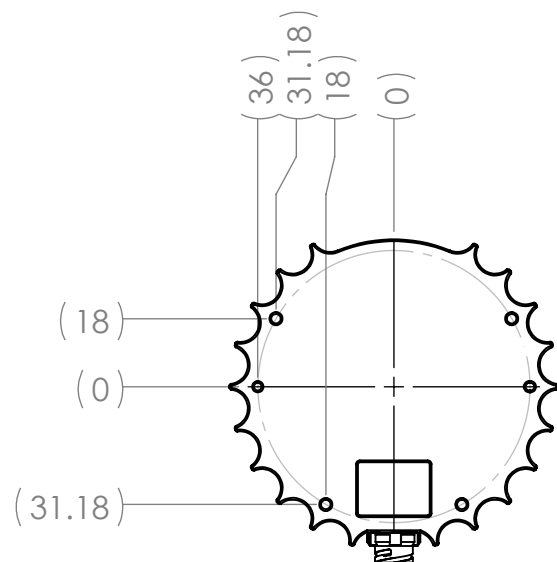
C

C



B

B



\varnothing 2.015 J7 $\begin{matrix} +0.004 \\ -0.006 \end{matrix}$ ∇ 3
PIN HOLE

4X M3X0.5 - 6H ∇ 3
MOUNT HOLES



2.015 J7 $\begin{matrix} +0.004 \\ -0.006 \end{matrix}$ X 2.27 ∇ 3
PIN SLOT

ALL HOLES ON
 \varnothing 72 BCD

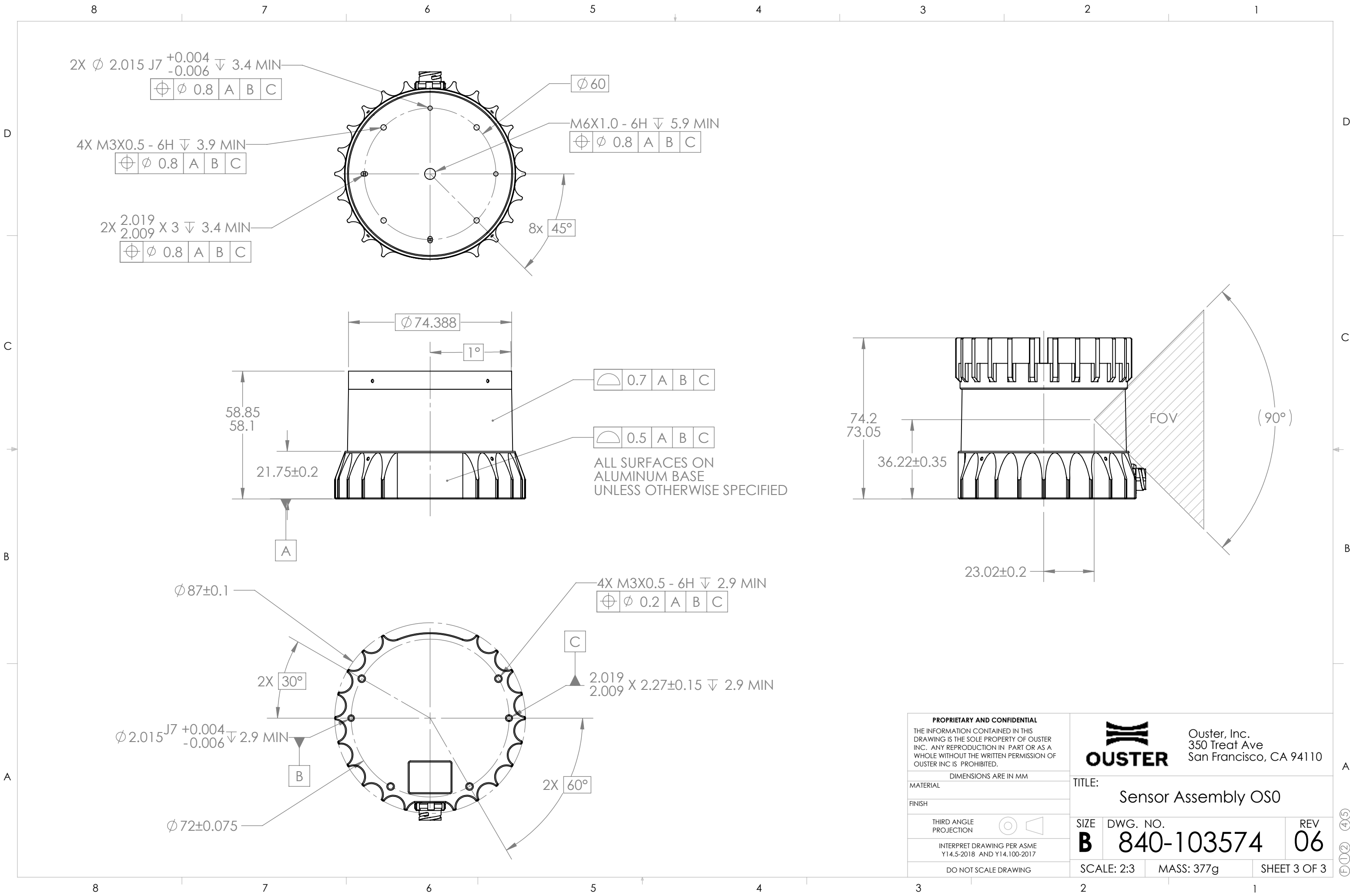
A

A

8 7 6 5 4 3 2 1

PROPRIETARY AND CONFIDENTIAL THE INFORMATION CONTAINED IN THIS DRAWING IS THE SOLE PROPERTY OF OUSTER INC. ANY REPRODUCTION IN PART OR AS A WHOLE WITHOUT THE WRITTEN PERMISSION OF OUSTER INC IS PROHIBITED.		 Ouster, Inc. 350 Treat Ave San Francisco, CA 94110	
DIMENSIONS ARE IN MM		TITLE: Sensor Assembly OS0	
MATERIAL	SIZE B		DWG. NO. 840-103574
FINISH	SCALE: 1:2		REV 06
THIRD ANGLE PROJECTION 	MASS: 377g		SHEET 2 OF 3
INTERPRET DRAWING PER ASME Y14.5-2018 AND Y14.100-2017			
DO NOT SCALE DRAWING			

(4/5)
(1/2)



PROPRIETARY AND CONFIDENTIAL
 THE INFORMATION CONTAINED IN THIS DRAWING IS THE SOLE PROPERTY OF OUSTER INC. ANY REPRODUCTION IN PART OR AS A WHOLE WITHOUT THE WRITTEN PERMISSION OF OUSTER INC IS PROHIBITED.

DIMENSIONS ARE IN MM

MATERIAL

FINISH

THIRD ANGLE PROJECTION

INTERPRET DRAWING PER ASME Y14.5-2018 AND Y14.100-2017

DO NOT SCALE DRAWING

OUSTER Ouster, Inc.
 350 Treat Ave
 San Francisco, CA 94110

TITLE: Sensor Assembly OS0		
SIZE	DWG. NO.	REV
B	840-103574	06
SCALE: 2:3	MASS: 377g	SHEET 3 OF 3

(4/5)
 (1/2)