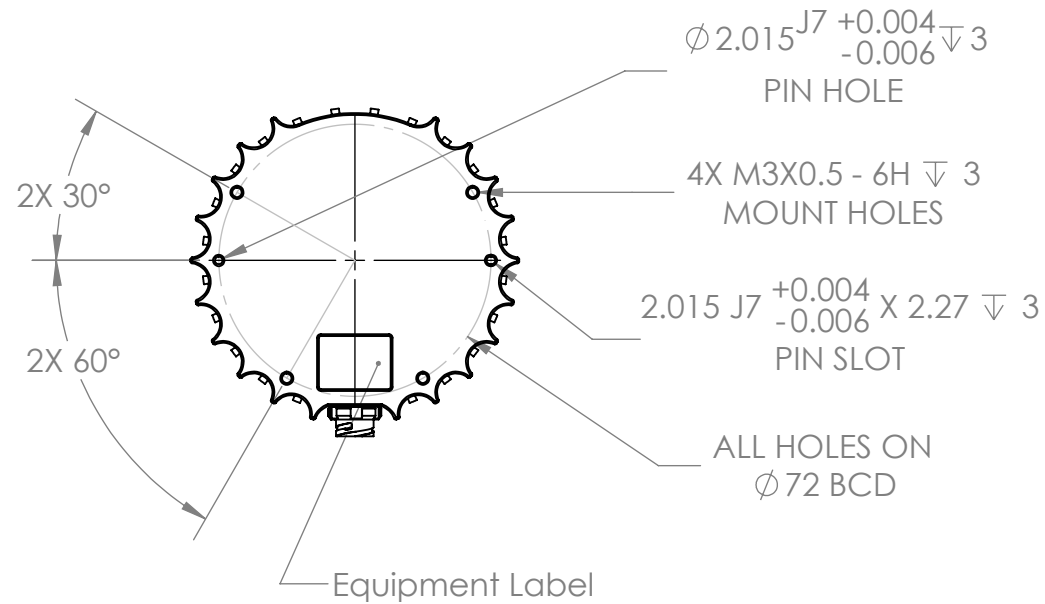
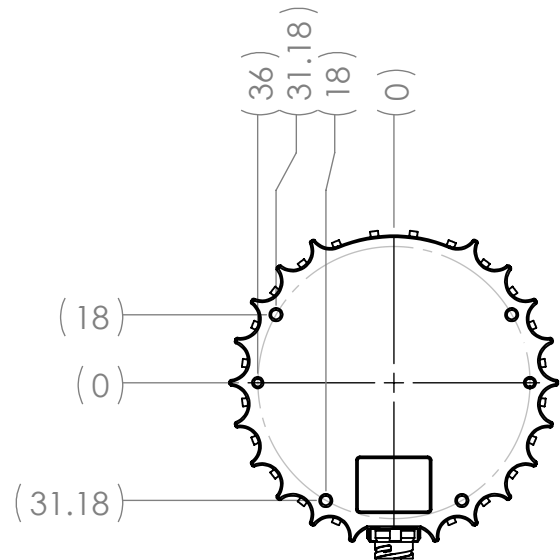
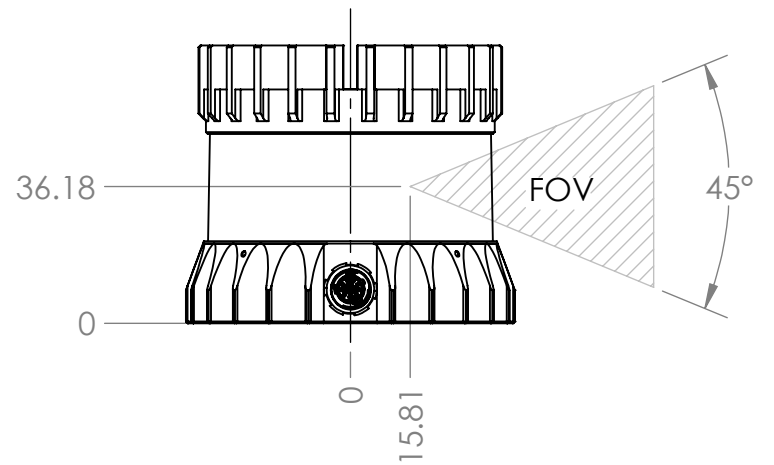
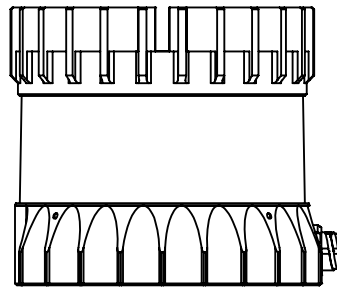
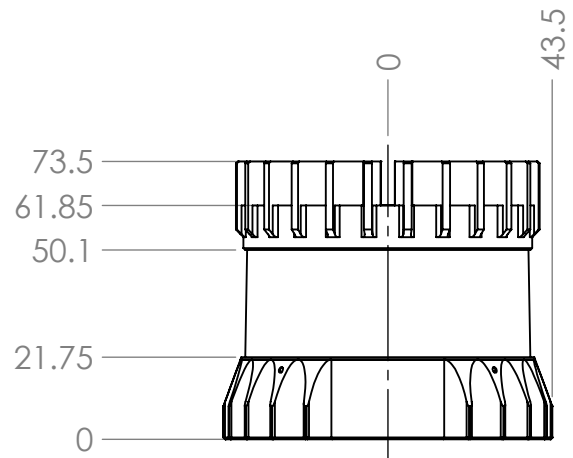
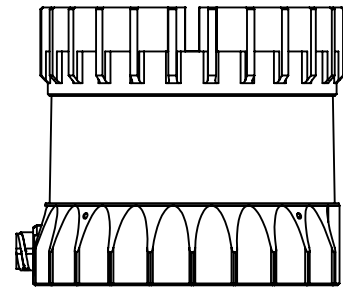
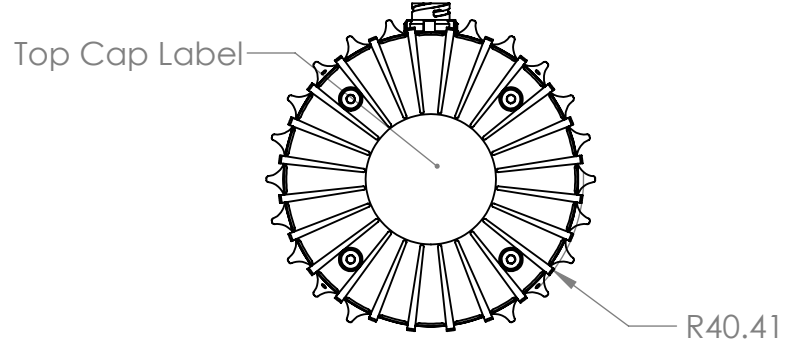
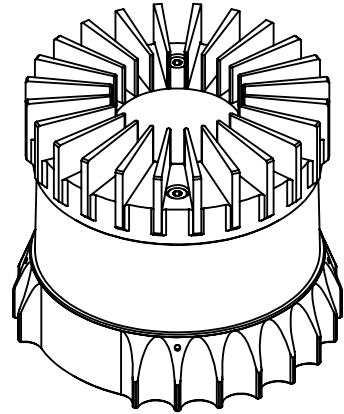




REVISIONS				
ZONE	REV.	DESCRIPTION	DATE	APPROVED
	06	ADDS TOLERANCES TO CIRITICAL EXTERNAL FEATURES	2022-06-01	HA



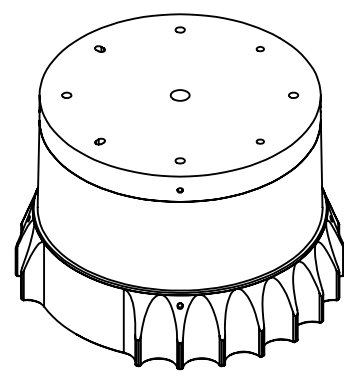
<b>PROPRIETARY AND CONFIDENTIAL</b> THE INFORMATION CONTAINED IN THIS DRAWING IS THE SOLE PROPERTY OF OUSTER INC. ANY REPRODUCTION IN PART OR AS A WHOLE WITHOUT THE WRITTEN PERMISSION OF OUSTER INC IS PROHIBITED.		 Ouster, Inc. 350 Treat Ave San Francisco, CA 94110	
DIMENSIONS ARE IN MM		TITLE: SensorAssemblyOS1	
MATERIAL		SIZE <b>B</b>	DWG. NO. 840-103575
FINISH		SCALE: 1:2	REVISION 06
THIRD ANGLE PROJECTION		MASS: 447g	SHEET 1 OF 3
INTERPRET DRAWING PER ASME Y14.5-2018 AND Y14.100-2017			
DO NOT SCALE DRAWING			

F1(2) (4)5

8 7 6 5 4 3 2 1

D

D



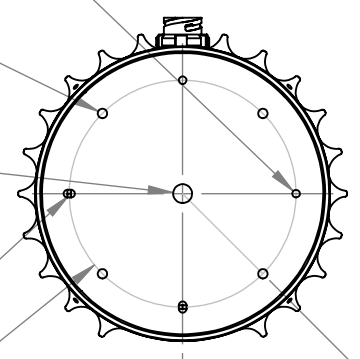
2X  $\varnothing$  2.015 J7  $\begin{matrix} +0.004 \\ -0.006 \end{matrix}$   $\nabla$  3.5  
PIN HOLE

4X M3X0.5 - 6H  $\nabla$  4  
MOUNT HOLES

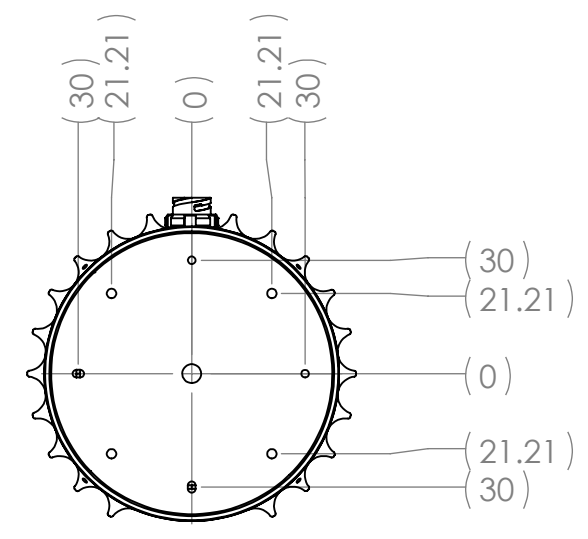
M6X1.0 - 6H  $\nabla$  6  
MOUNT HOLES

2X  $\begin{matrix} 2.019 \\ 2.009 \end{matrix}$  X 3  $\nabla$  3.5  
PIN SLOT

ALL HOLES ON  
 $\varnothing$  60 BCD

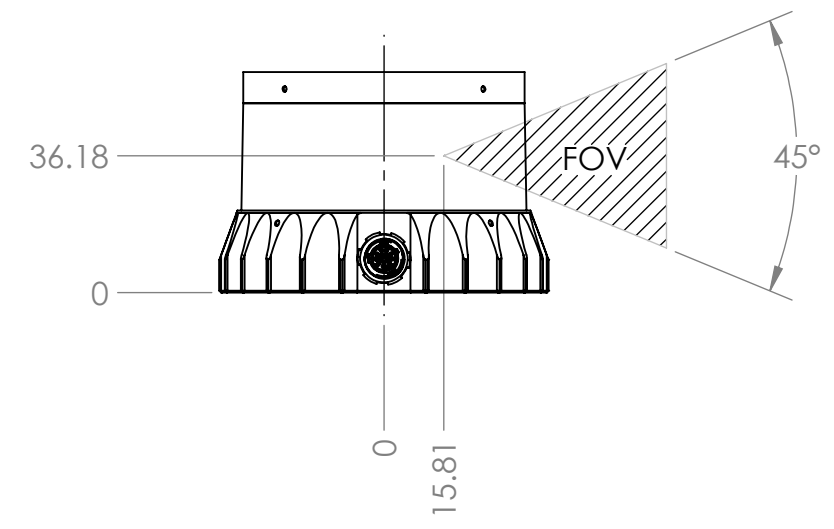
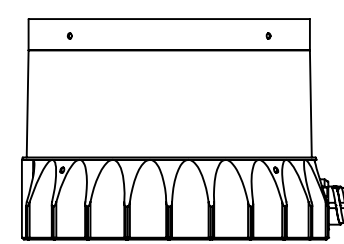
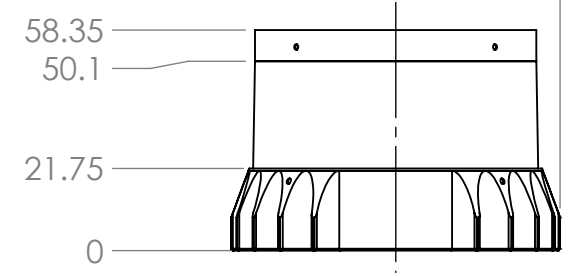
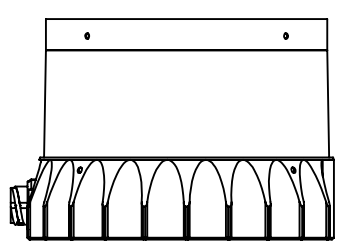


8X 45°



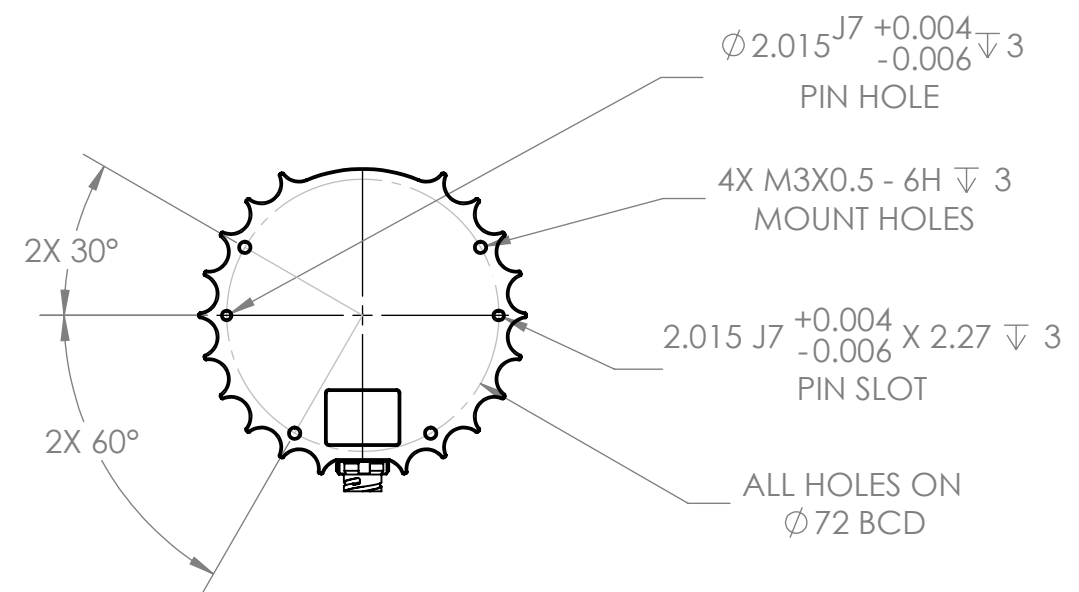
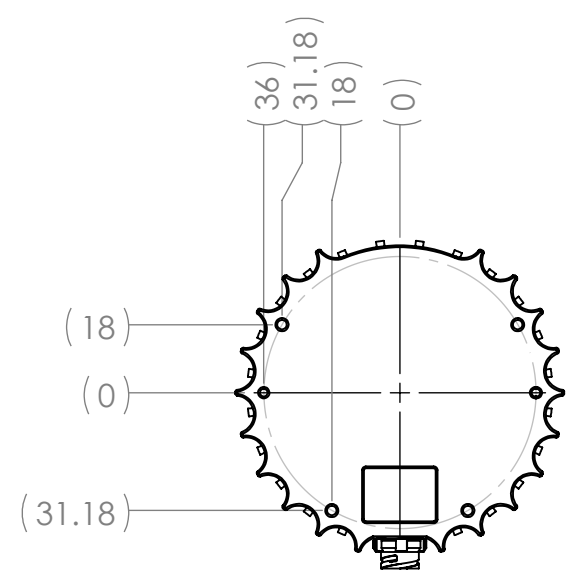
C

C



B

B



$\varnothing$  2.015 J7  $\begin{matrix} +0.004 \\ -0.006 \end{matrix}$   $\nabla$  3  
PIN HOLE

4X M3X0.5 - 6H  $\nabla$  3  
MOUNT HOLES


2.015 J7  $\begin{matrix} +0.004 \\ -0.006 \end{matrix}$  X 2.27  $\nabla$  3  
PIN SLOT

ALL HOLES ON  
 $\varnothing$  72 BCD

A

A

8 7 6 5 4 3 2 1

<p><b>PROPRIETARY AND CONFIDENTIAL</b> THE INFORMATION CONTAINED IN THIS DRAWING IS THE SOLE PROPERTY OF OUSTER INC. ANY REPRODUCTION IN PART OR AS A WHOLE WITHOUT THE WRITTEN PERMISSION OF OUSTER INC IS PROHIBITED.</p>		 <p>Ouster, Inc. 350 Treat Ave San Francisco, CA 94110</p>	
<p>DIMENSIONS ARE IN MM</p>		<p>TITLE: Sensor Assembly OS1</p>	
<p>MATERIAL</p>		<p>SIZE <b>B</b></p>	<p>DWG. NO. <b>840-103575</b></p>
<p>FINISH</p>		<p>SCALE: 1:2</p>	<p>REV <b>06</b></p>
<p>THIRD ANGLE PROJECTION</p>		<p>MASS: 377g</p>	<p>SHEET 2 OF 3</p>
<p>INTERPRET DRAWING PER ASME Y14.5-2018 AND Y14.100-2017</p>			
<p>DO NOT SCALE DRAWING</p>			

(4/5)  
(1/2)  
(4/5)

2X  $\varnothing$  2.015 J7  $\begin{matrix} +0.004 \\ -0.006 \end{matrix}$   $\nabla$  3.4 MIN

$\varnothing$  0.8 A B C

4X M3X0.5 - 6H  $\nabla$  3.9 MIN

$\varnothing$  0.8 A B C

2X  $\begin{matrix} 2.019 \\ 2.009 \end{matrix}$  X 3  $\nabla$  3.4 MIN

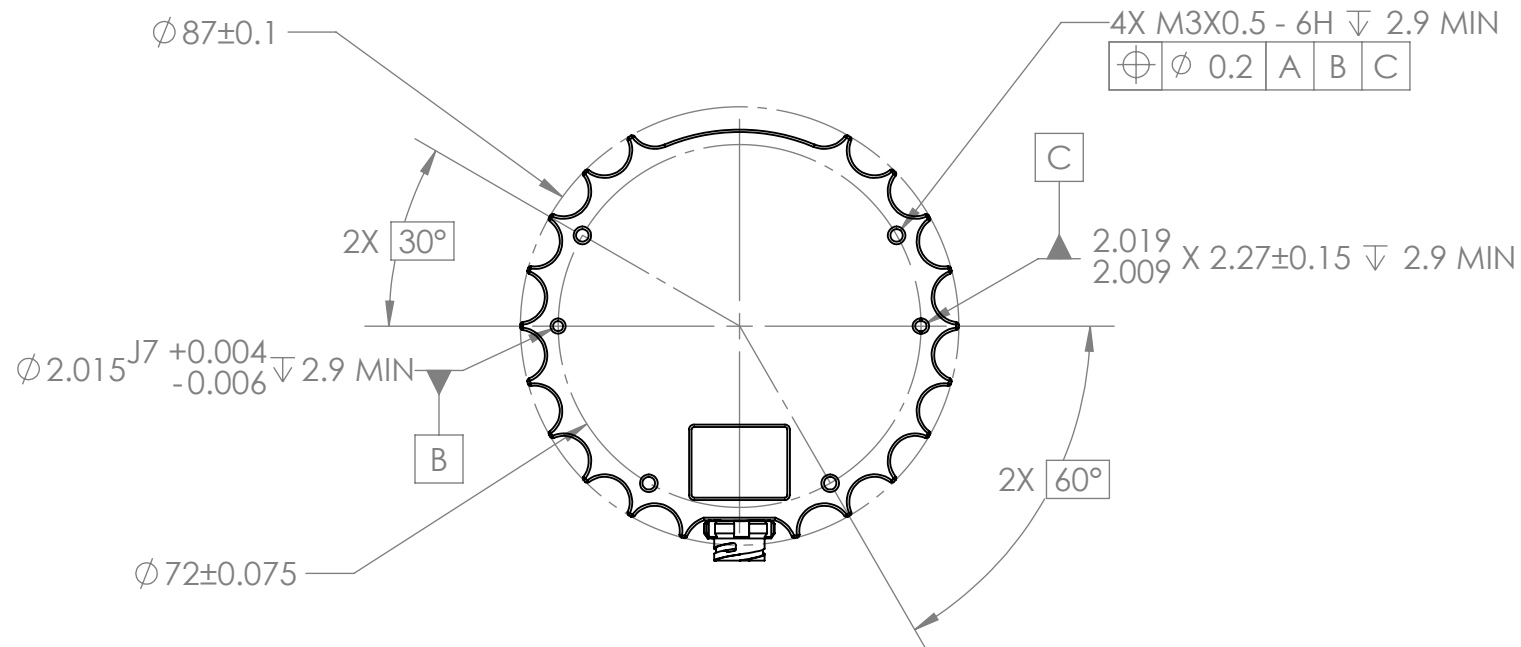
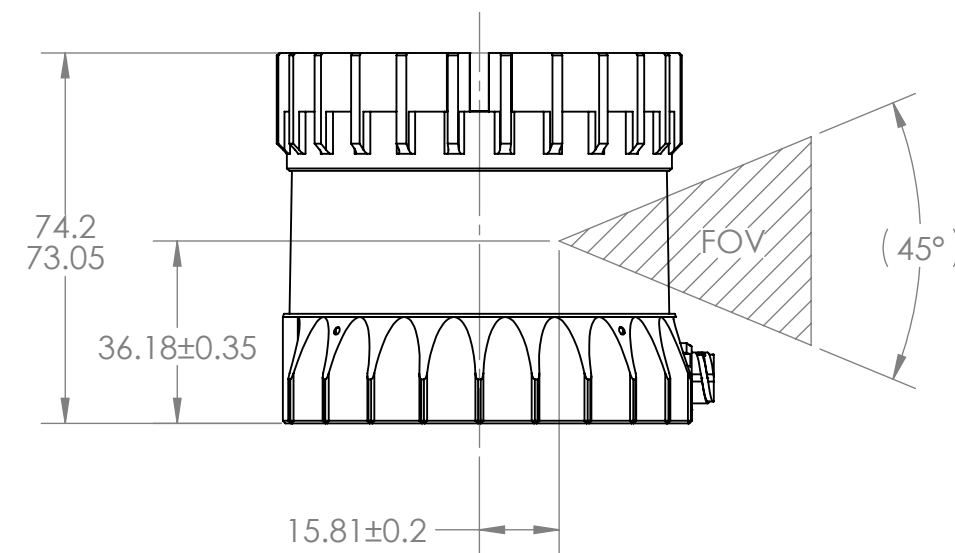
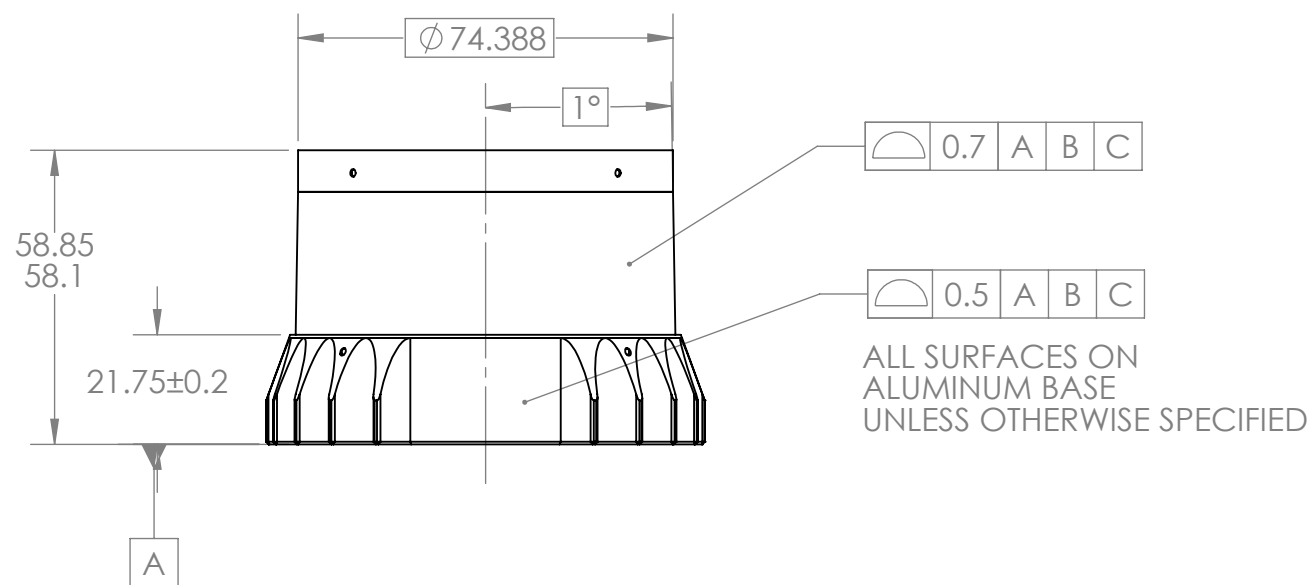
$\varnothing$  0.8 A B C



$\varnothing$  60

M6X1.0 - 6H  $\nabla$  5.9 MIN

$\varnothing$  0.8 A B C

8x 45°



<b>PROPRIETARY AND CONFIDENTIAL</b> THE INFORMATION CONTAINED IN THIS DRAWING IS THE SOLE PROPERTY OF OUSTER INC. ANY REPRODUCTION IN PART OR AS A WHOLE WITHOUT THE WRITTEN PERMISSION OF OUSTER INC IS PROHIBITED.		 Ouster, Inc. 350 Treat Ave San Francisco, CA 94110	
DIMENSIONS ARE IN MM		TITLE: Sensor Assembly OS1	
MATERIAL		SIZE <b>B</b>	DWG. NO. 840-103575
FINISH		SCALE: 2:3	REVISION 06
THIRD ANGLE PROJECTION		MASS: 377g	SHEET 3 OF 3
INTERPRET DRAWING PER ASME Y14.5-2018 AND Y14.100-2017			
DO NOT SCALE DRAWING			

F1(2) (45)