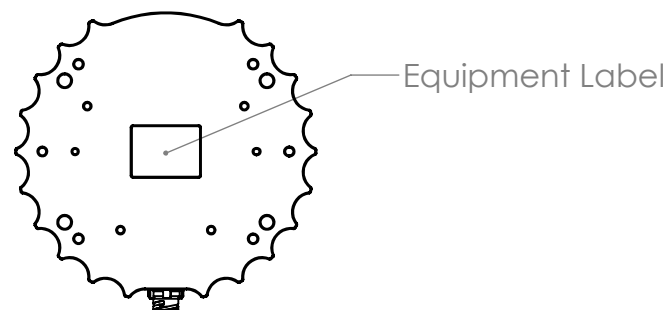
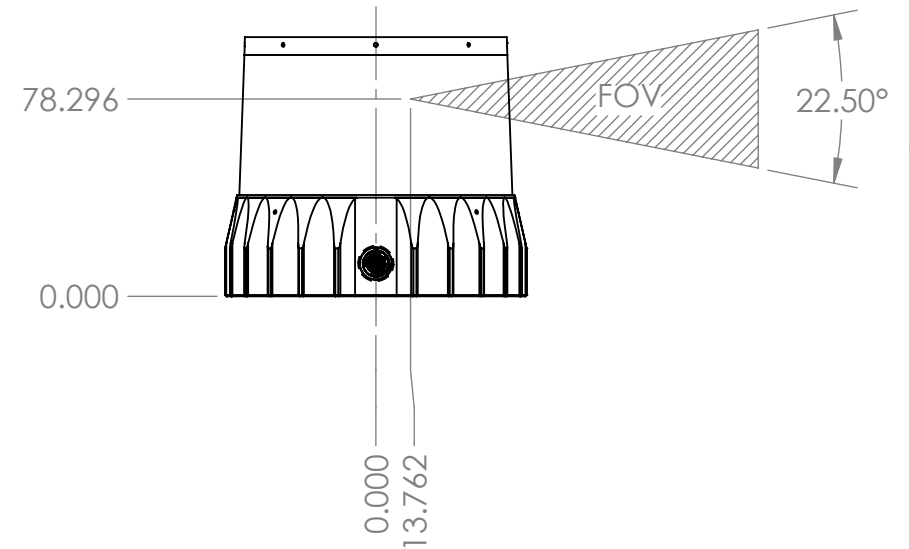
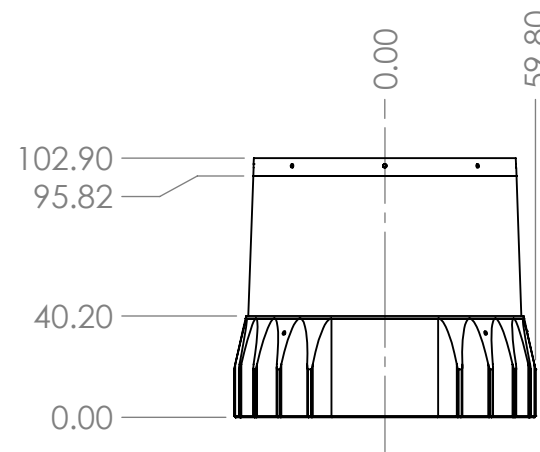
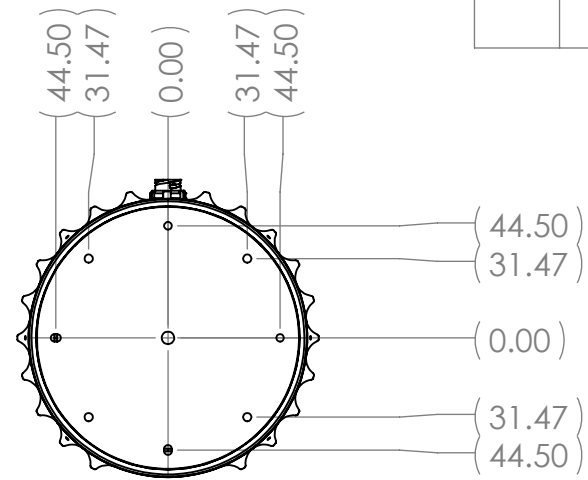
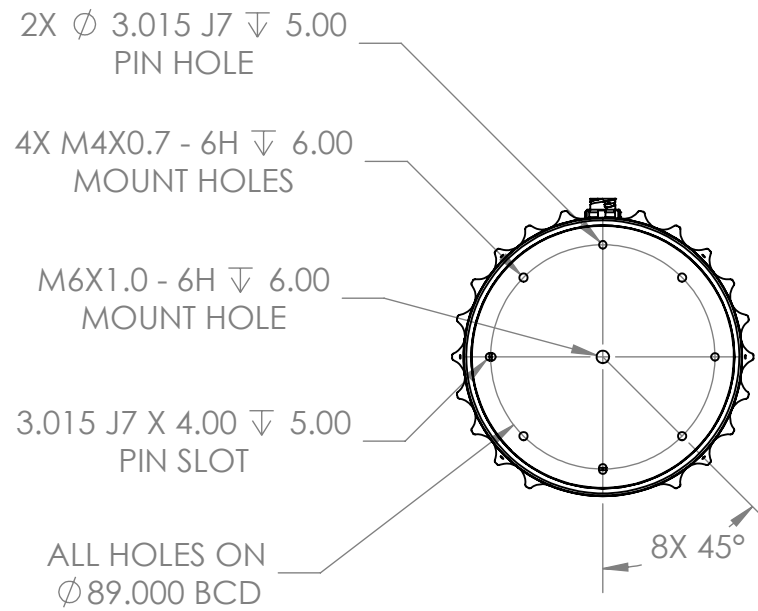
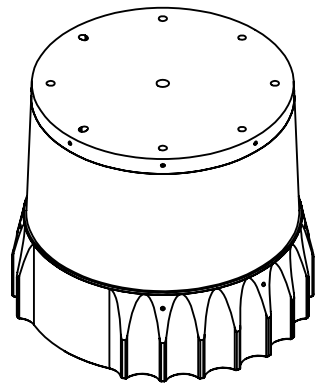


REVISIONS				
ZONE	REV.	DESCRIPTION	DATE	APPROVED
	D	Improved Sensor Reliability	2020-12-09	HA



UNLESS OTHERWISE SPECIFIED:

DIMENSIONS ARE IN MM
TOLERANCES:
DECIMALS ANGLES
.X = \pm .25 \pm .5 DEGREES
.XX = \pm .10
.XXX = \pm .05

THIRD ANGLE PROJECTION



MATERIAL

FINISH

DO NOT SCALE DRAWING

	NAME	DATE
DRAWN		
CHECKED		
ENG APPR.		
MFG APPR.		
Q.A.		

COMMENTS:



Ouster, Inc.
350 Treat Ave
San Francisco, CA 94110

TITLE:
Sensor Assembly OS2

SIZE	DWG. NO.	REV
B	840-102146	D

SCALE: 1:3 MASS: 1100g SHEET 1 OF 2

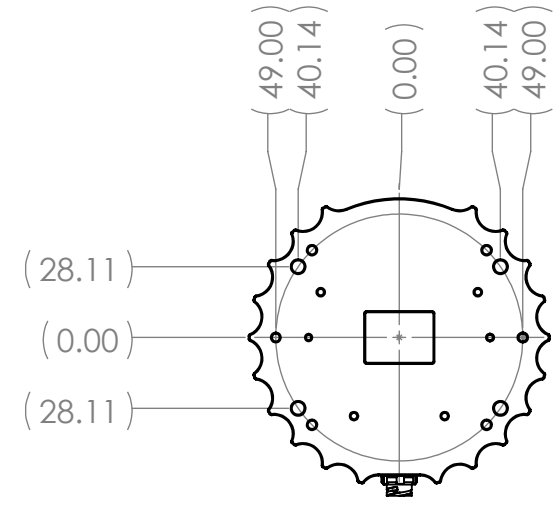
PROPRIETARY AND CONFIDENTIAL

THE INFORMATION CONTAINED IN THIS DRAWING IS THE SOLE PROPERTY OF OUSTER INC. ANY REPRODUCTION IN PART OR AS A WHOLE WITHOUT THE WRITTEN PERMISSION OF OUSTER INC IS PROHIBITED.

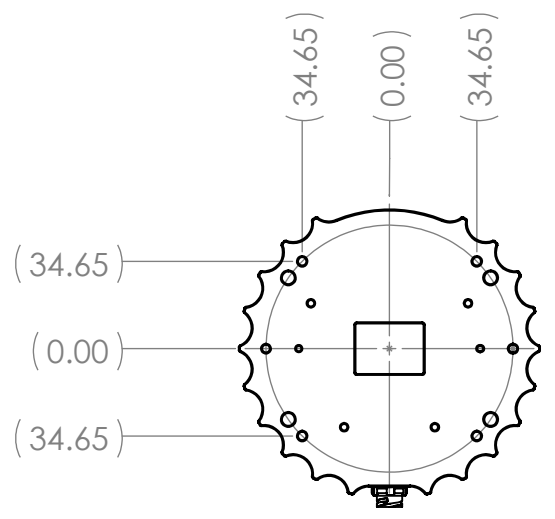
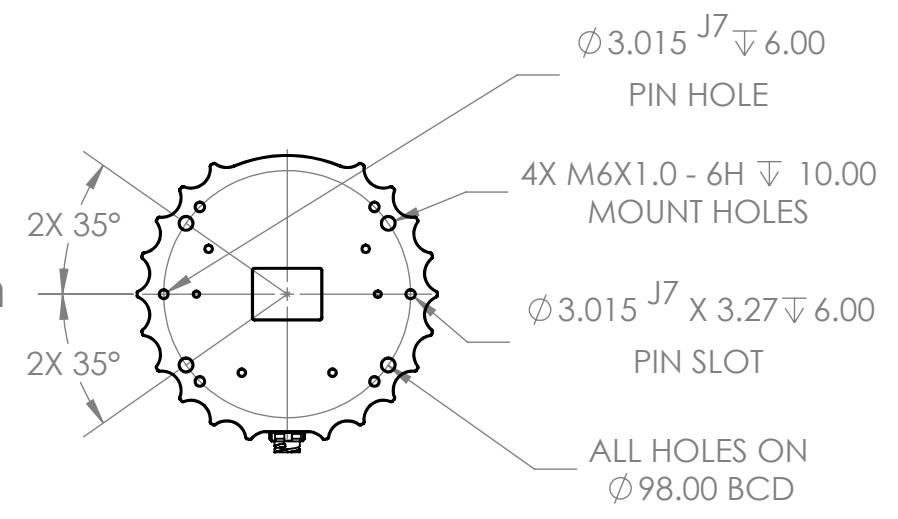
8 7 6 5 4 3 2 1

D
C
B
A

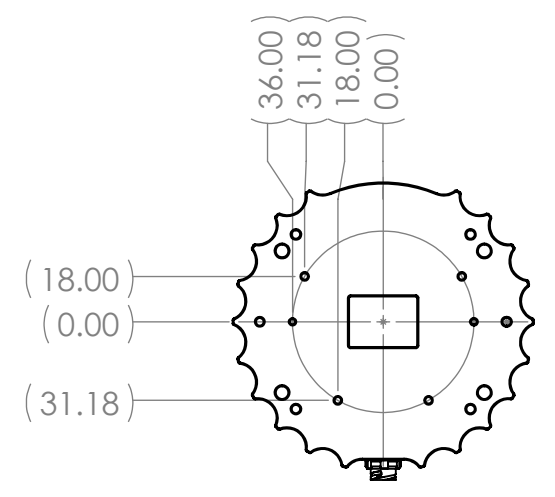
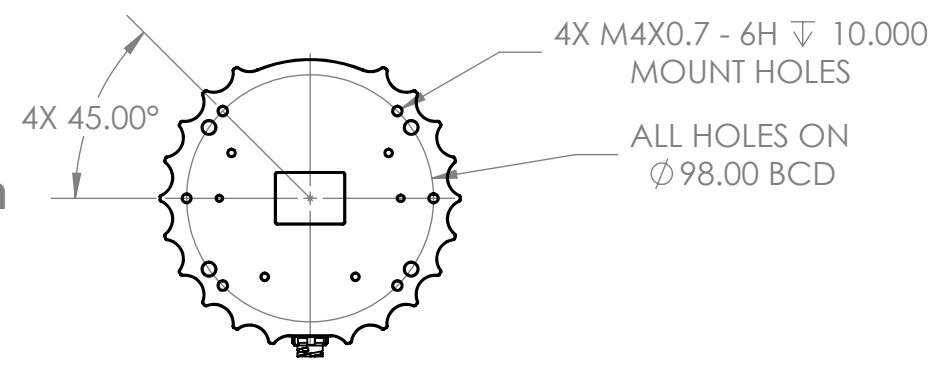
D
C
B
A



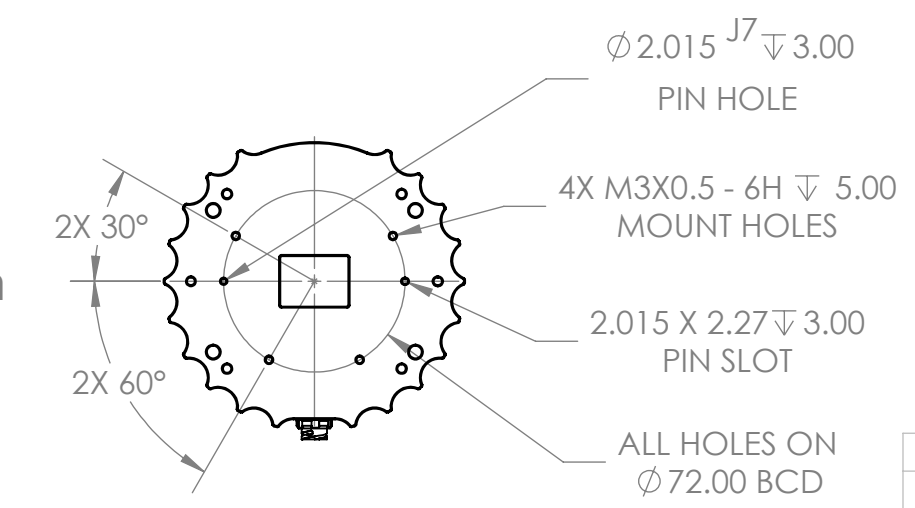
M6 Thread Pattern




M4 Thread Pattern



M3 Thread Pattern



DO NOT SCALE DRAWING
PROPRIETARY AND CONFIDENTIAL
 THE INFORMATION CONTAINED IN THIS DRAWING IS THE SOLE PROPERTY OF OUSTER INC. ANY REPRODUCTION IN PART OR AS A WHOLE WITHOUT THE WRITTEN PERMISSION OF OUSTER INC IS PROHIBITED.

 Ouster, Inc. 350 Treat Ave San Francisco, CA 94110		
TITLE: Sensor Assembly OS2		
SIZE: B	DWG. NO.: 840-102146	REV: D
SCALE: 1:3	MASS: 1100g	SHEET 2 OF 2

8 7 6 5 4 3 2 1