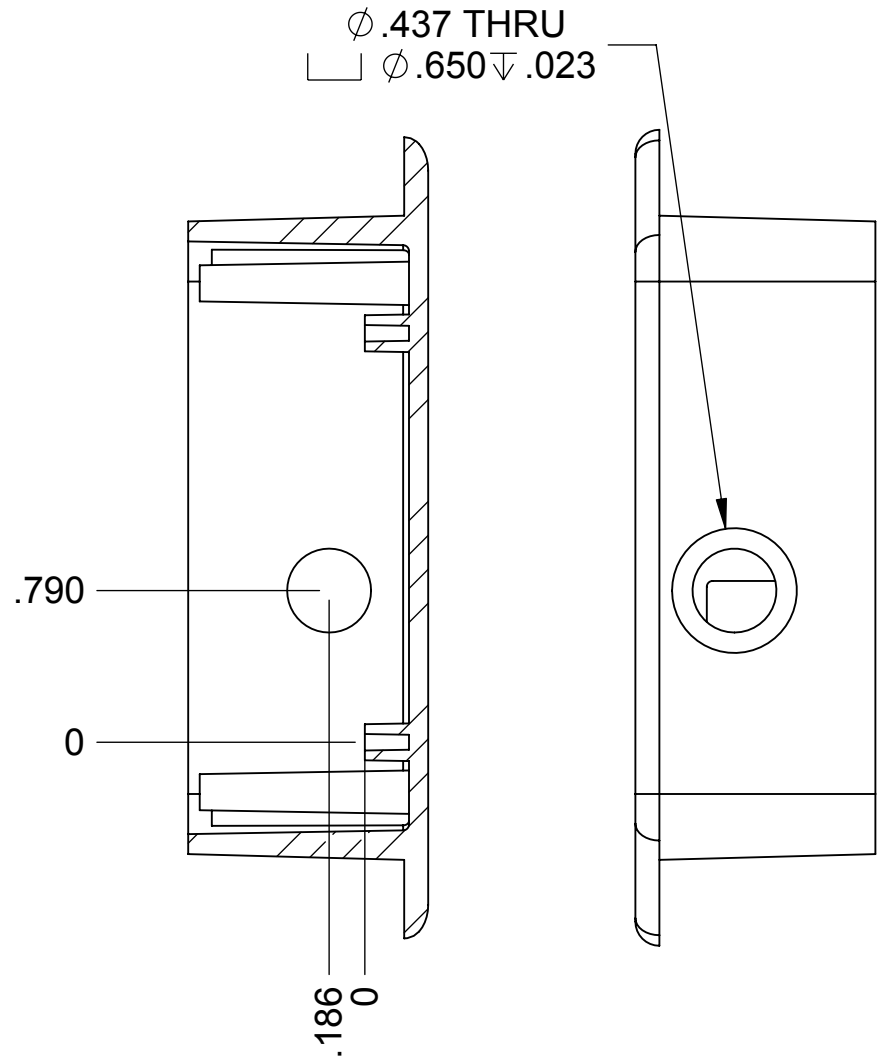


THE INFORMATION CONTAINED IN THIS DRAWING IS THE SOLE PROPERTY OF VELODYNE ACOUSTICS, INC., ANY REPRODUCTION IN PART OR WHOLE WITHOUT THE WRITTEN PERMISSION OF VELODYNE ACOUSTICS, INC., IS PROHIBITED.

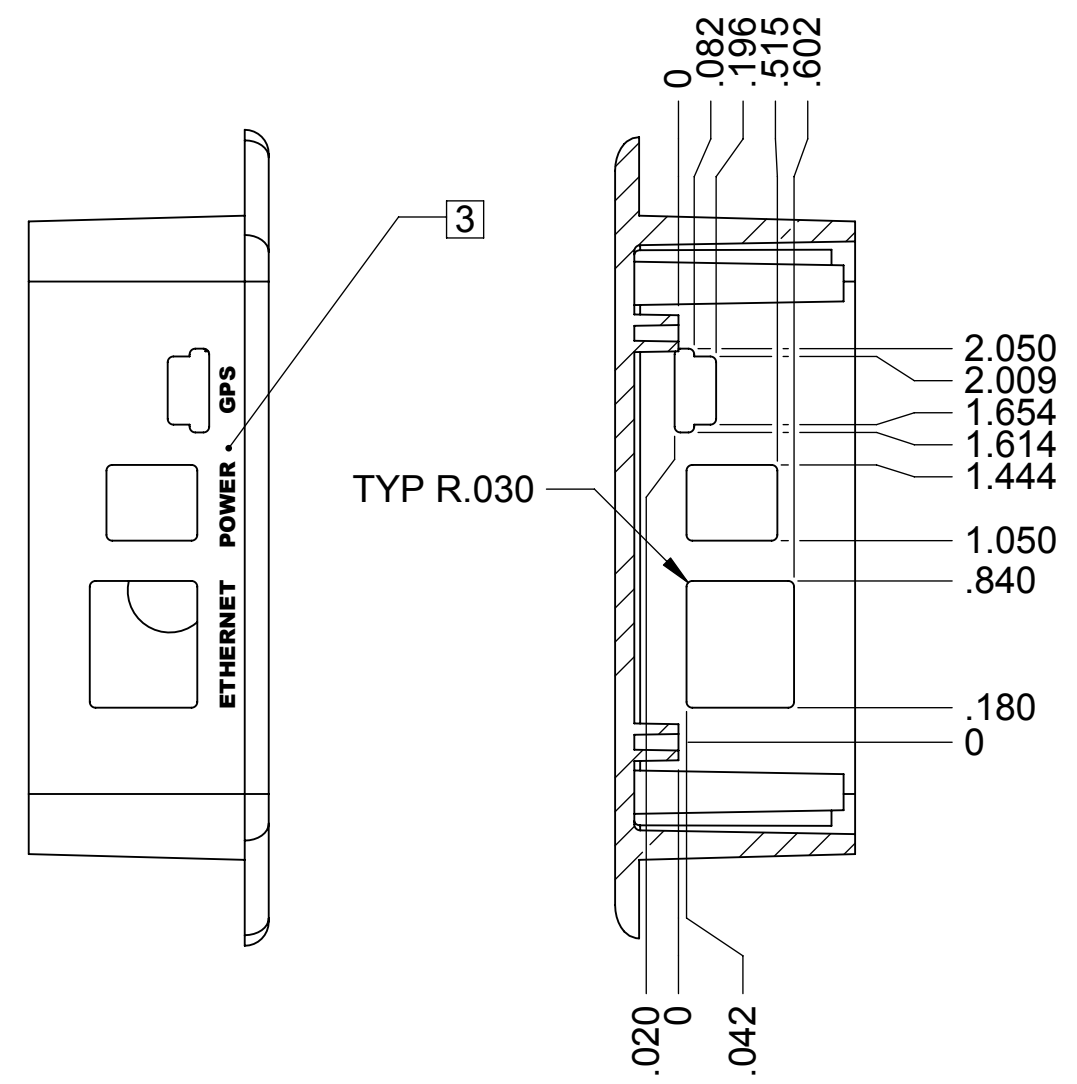
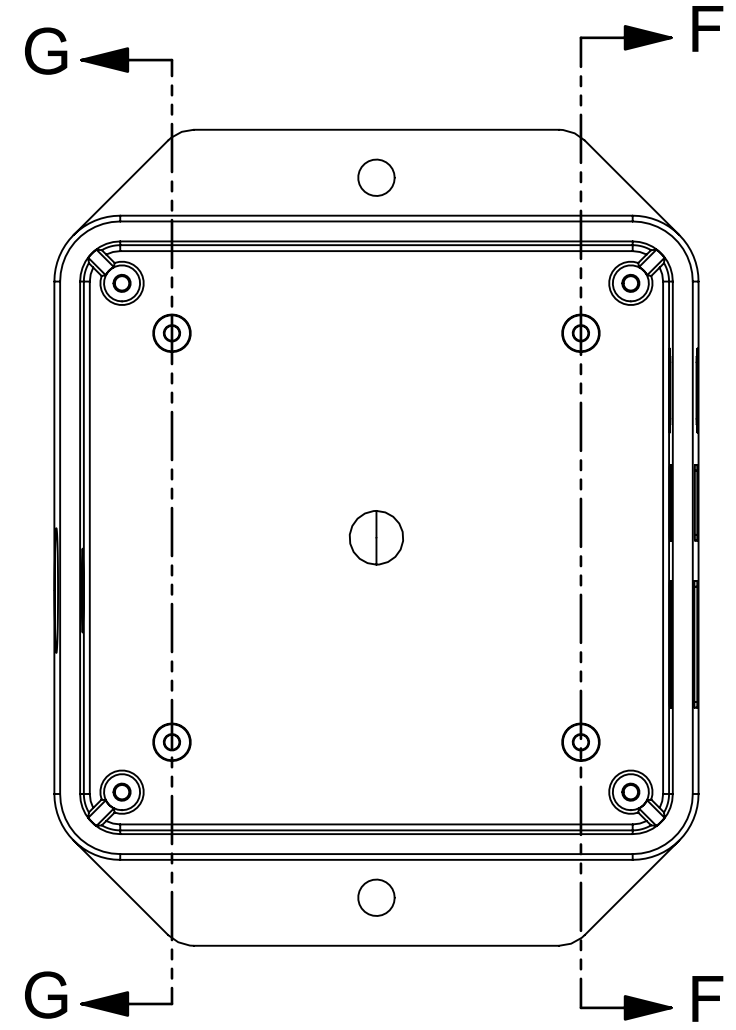
REVISIONS				
ECN	REV	DESCRIPTION	APPROVAL	DATE
	E1	INITIAL ENGINEERING RELEASE	TAR	11/09/10
111863	A	ADD 58-756 ENCLOSURE, LP-41 TO BOM; RELEASE FOR PRODUCTION	JLC	7/14/11

NOTES: UNLESS OTHERWISE SPECIFIED

1. ALL DIMENSIONS ARE IN DECIMAL INCHES.
2. MATERIAL: MAKE FROM 58-756 POLYCASE LP-41BFMB1
3. FINISH: PRINT WITH SUPPLIED ARTWORK (VELODYNE P/N 63-9082) - COLOR: PANTONE 877C
4. MACHINE FEATURES SHOWN.



SECTION G-G  
SCALE 1 : 1



SECTION F-F  
SCALE 1 : 1

UNLESS OTHERWISE SPECIFIED DIMENSIONS ARE IN DECIMAL INCHES AND [METRIC].		SOLIDWORKS2006 GENERATED DRAWING. DO NOT MANUALLY UPDATE!		Velodyne Acoustics, Inc.	
TOLERANCES ARE: DECIMALS ANGLES .xx ± .03 [0.76] ± N/A .xxx ± .005 [0.127]		APPROVALS	DATE	FAB ENCLOSURE, ADAPTER,ABS,BLK,P2.0	
XX-XXX	MATERIAL SEE NOTES	TAR	11/09/10		
	FINISH SEE NOTES			SIZE DWG. NO.	REV.
NEXT ASSY	DO NOT SCALE DRAWING	TAR	11/09/10	B 50-6001	A
				SCALE= NTS	SHEET 1 of 1