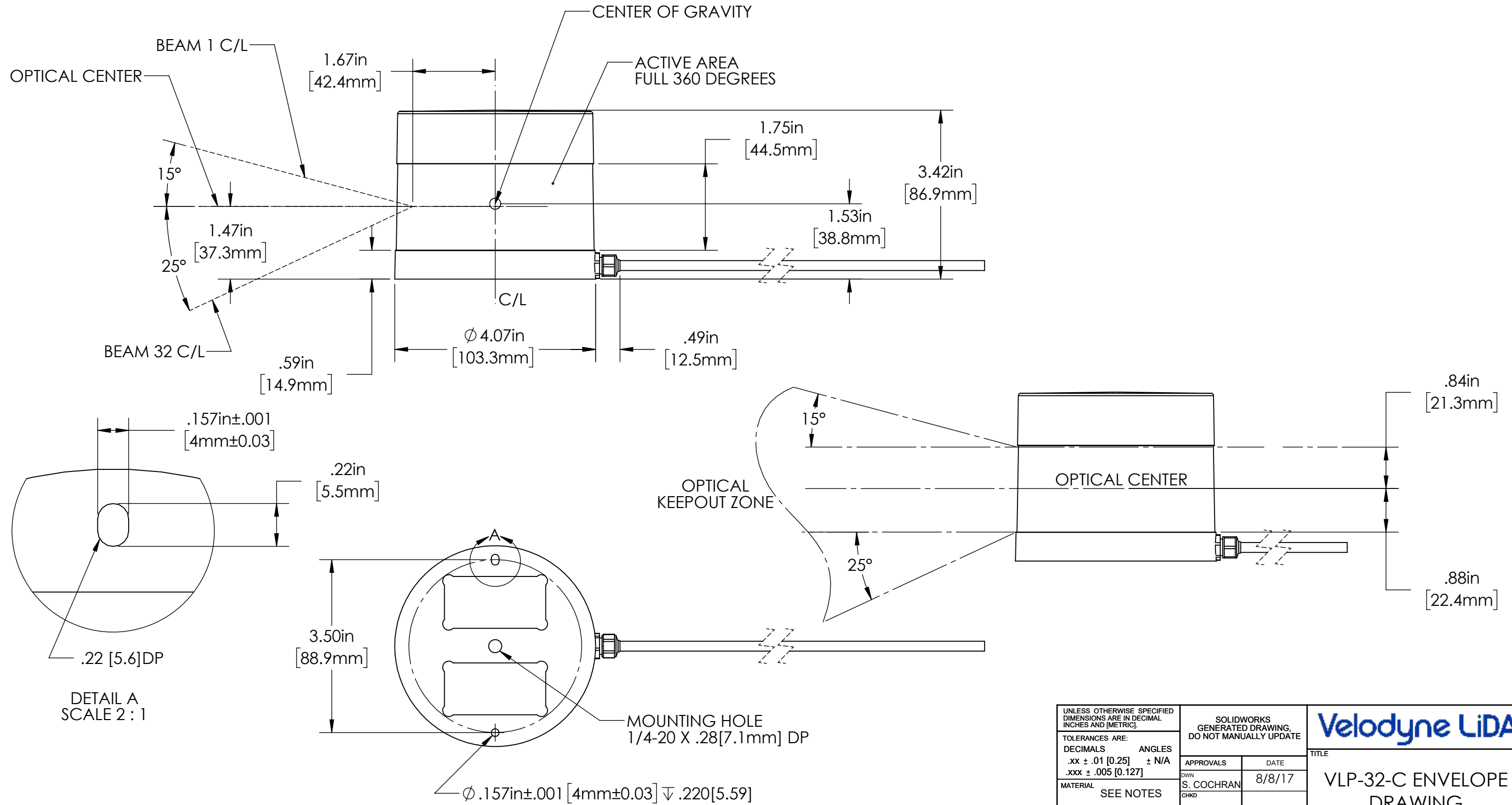


THE INFORMATION CONTAINED IN THIS DRAWING IS THE SOLE PROPERTY OF VELODYNE LIDAR, INC., ANY REPRODUCTION IN PART OR WHOLE WITHOUT THE WRITTEN PERMISSION OF VELODYNE LIDAR, INC., IS PROHIBITED.

REVISIONS				
ECN	REV.	DESCRIPTION	DATE	APPROVED
3117	1	INITIAL RELEASE	4/24/2018	VC

NOTES: UNLESS OTHERWISE SPECIFIED

1. ALL PRIMARY DIMENSIONS ARE IN DECIMAL INCHES [MM].



UNLESS OTHERWISE SPECIFIED DIMENSIONS ARE IN DECIMAL INCHES AND [METRIC].		SOLIDWORKS GENERATED DRAWING. DO NOT MANUALLY UPDATE.			
TOLERANCES ARE:		APPROVALS	DATE		
DECIMALS	ANGLES	DWN S. COCHRAN	8/8/17	VLP-32-C ENVELOPE DRAWING	
.xx ± .01 [0.25]	± N/A			SIZE	DWG. NO.
.xxx ± .005 [0.127]		ENG	B	86-0130	1
MATERIAL	SEE NOTES		SCALE: 1:5		SHEET 1 of 1
FINISH	SEE NOTES				
DO NOT SCALE DRAWING					